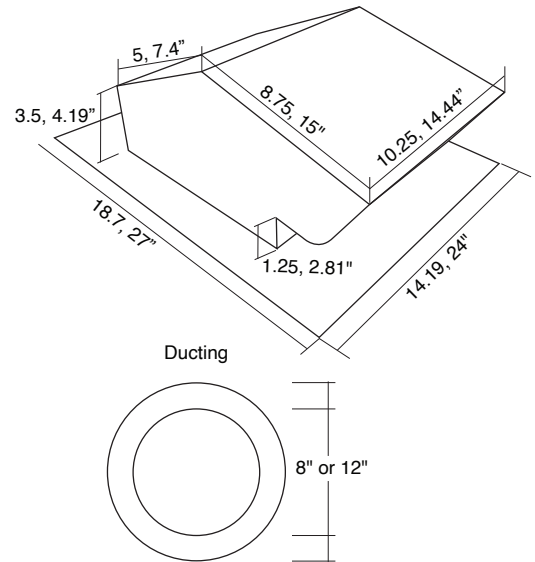




Vexair Roof Cap: 6-8" and 10-12" Sizes

The Vexair Roof Cap is engineered to provide efficient ventilation while maintaining durability and style. Available in two sizes—6-8" and 10-12"—this roof cap is designed for a range of ventilation systems. Constructed from powder-coated black galvanized steel, it offers robust protection against the elements while blending seamlessly with any exterior design.

Featuring a built-in screen to filter debris and a damper to minimize backflow, the Vexair Roof Cap ensures smooth airflow and reduced wear on your system. With a 3-year warranty, it's built to last, providing reliable performance for your ventilation needs.



PERFORMANCE

This high quality exhaust vent cap is designed to be used with bathroom and kitchen exhaust venting systems. This vent comes with a backdraft damper to prevent outside air from entering the home.

EASY TO INSTALL

The Vexair Roof Cap does not come with a bottom extension pipe, this allows for easy attachment in tight spaces. It also features a removable screen to make cleaning out debris a breeze.

DURABLE

This vent cap is constructed with heavy duty 28-gauge galvanized steel.

VERSATILITY

This vent cap is available in two sizes (6-8", 10-12") to fit your needs. Please measure your duct diameter before selecting a size to ensure a proper fit.

Warranty

3-Year Warranty.