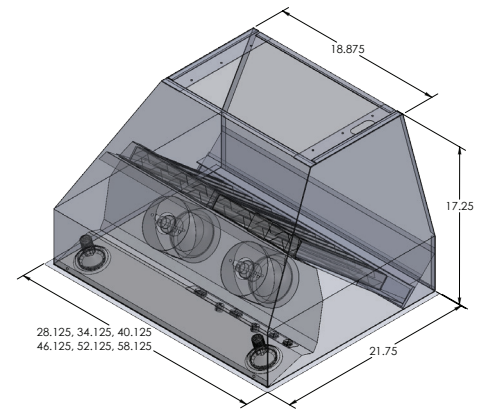




**The ProVL** The ProV Insert has been designed to have full variable speed, including your own choice of blowers. It is guaranteed to have the best value, application, flexibility, and performance. We guarantee you will not be disappointed! This model comes with the choice of a local blower (1700 CFM or 1200 CFM) or an in-line 1300 CFM. This will allow you to fit this liner into any project. The main difference between this model and other inserts, besides the blower customization, is the design and the addition of heat lights in the grill. It also comes with 2 or 3 LED lights (depending on the width), dishwasher-safe stainless steel filters, variable speed knobs.



**Configuration and Dimensions**

Hood Type . . . . .	Insert
Sizes Available . . . . .	28   34   40   46   52   58
28" Dimensions. . . . .	28.125" W x 21.75" D x 17.25" H
34" Dimensions. . . . .	34.125" W x 21.75" D x 17.25" H
40" Dimensions. . . . .	40.125" W x 21.75" D x 17.25" H
46" Dimensions. . . . .	46.125" W x 21.75" D x 17.25" H
52" Dimensions. . . . .	52.125" W x 21.75" D x 17.25" H
58" Dimensions. . . . .	58.125" W x 21.75" D x 17.25" H
<i>Lip/Flange width for all models . . . . .</i>	<i>1.25"</i>

**Features**

Control Type . . . . .	Rheostat Knobs
Lighting . . . . .	Halogen or LED

**Ventilation System**

Maximum Air Flow Capacity . . . . .	1200, 1300 or 1700 CFM
Speed Levels . . . . .	Variable Speeds
Airflow (Quiet/Low/Med/High). . . . .	0-1200, 0-1300 or 0-1700
Noise Level . . . . .	56.1 db or 7 Sones Max
Duct Type/Size . . . . .	Round 10
Voltage . . . . .	110v
Motor . . . . .	Single High efficiency Variable/Inline Option
	Local Blowers are Dual
Filter Type . . . . .	Stainless Steel Baffle (Dishwasher Safe)
Material . . . . .	High Quality 430 Stainless Steel
Warranty . . . . .	.3 Year Parts Warranty