

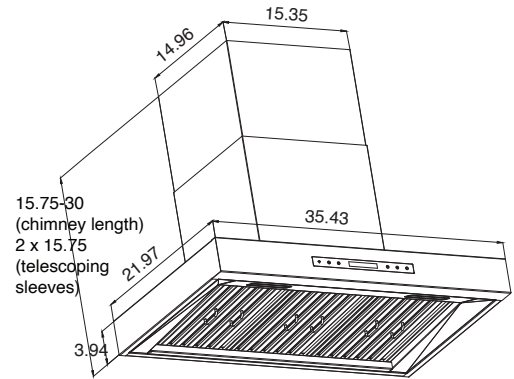


PLSW 755FSCU

The PLSW 755FSCU Wall Mounted Range Hood seamlessly combines sleek design with exceptional performance, making it the perfect focal point for any modern kitchen. With its low-profile appearance and cutting-edge functionality, this hood is crafted to elevate both style and ventilation efficiency.

Featuring easy-to-use digital touch controls, the PLSW 755FSCU allows for precise management of your kitchen's airflow. The 1.5W LED lighting ensures bright, energy-efficient illumination over your cooking area, while the powerful 550 CFM ventilation system efficiently removes smoke, grease, and odors. Its three adjustable speed settings provide tailored airflow for any cooking intensity.

Designed for convenience, the dishwasher-safe stainless steel baffle filters make maintenance a breeze. Crafted from high-quality 430 stainless steel, this hood offers both durability and modern aesthetics. Backed by a 3-year parts warranty, the PLSW 755FSCU Island Mounted Range Hood delivers a reliable, high-performance solution for your kitchen's ventilation needs.



Configuration and Dimensions

Hood Type	Wall Mounted
Sizes Available	36"
36" Dimensions	35.43" W x 21.97" D x 3.94" H
Chimney Dimensions: 15.35" W x 14.96" D x 15.75"-30" H (Telescoping with Two Interlocking 15.75" Sleeves)	

Features

Control Type	Digital Touch Control
Lighting	1.5W LED

Ventilation System

Maximum Air Flow Capacity	550 CFM
Speed Levels	4 Speed
Airflow (Quiet/Low/Med/High)	150/300/400/550
Noise Level65 db or 13 Sones Max
Duct Type/Size	8" Round
Voltage	110v
Motor	Single
Filter Type	Stainless Steel Baffle (Dishwasher Safe)
Material	High Quality 430 Stainless Steel
Warranty	3 Year Parts Warranty