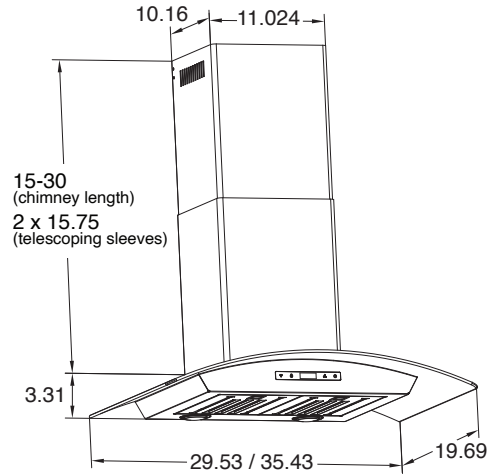




## PLSW 543

The PLSW 543 Wall Mounted Range Hood combines unparalleled style and functionality, setting a new standard for modern kitchen design. Its distinctive glass panel design not only ensures superior ventilation but also serves as an elegant focal point, enhancing the overall aesthetic of your kitchen. This model emphasizes ease of cleaning and maintenance, ensuring lasting brilliance and a touch of sophistication to any kitchen environment.

Equipped with a powerful 550 CFM motor, the PLSW 543 adeptly removes smoke, odors, and particles, creating a clean and welcoming cooking space. Despite its powerful performance, it operates quietly at 13 Sones/65 dB, ensuring a serene kitchen atmosphere. The inclusion of two 1.5W LED lights offers bright, efficient lighting, while the digital touch control panel with three speeds (150/350/550) provides customizable ventilation.



### Configuration and Dimensions

Hood Type . . . . .	Wall Mounted
Sizes Available . . . . .	30   36
30" Dimensions . . . . .	.29.53" W x 19.69" D x 3.31" H
36" Dimensions . . . . .	.35.43" W x 19.69" D x 3.31" H

### Features

Control Type . . . . .	Digital Touch Control
Lighting . . . . .	1.5W LED

### Ventilation System

Maximum Air Flow Capacity . . . . .	550 CFM
Speed Levels . . . . .	3 Speed
Airflow (Quiet/Low/Med/High) . . . . .	150/350/550
Noise Level . . . . .	.65 db or 13 Sones Max
Duct Type/Size . . . . .	6" Round
Voltage . . . . .	110v
Motor . . . . .	Single
Filter Type . . . . .	Stainless Steel Baffle (Dishwasher Safe)
Material . . . . .	High Quality 430 Stainless Steel
Warranty . . . . .	.3 Year Parts Warranty