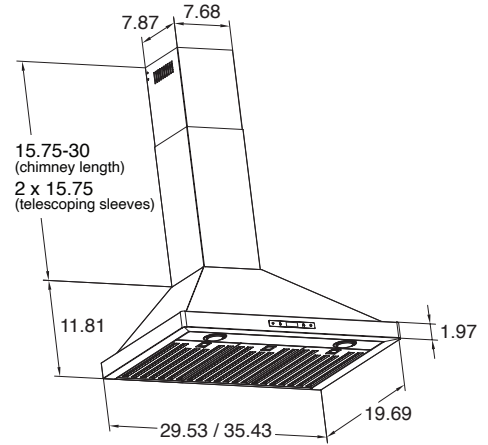




PLSW 520

The PLSW 520 Wall Mounted Range Hood marks a significant leap forward in kitchen ventilation, blending cutting-edge technology with superior performance and sleek aesthetics. At its core, a powerful 550 CFM motor efficiently purges smoke, odors, and impurities, ensuring a clean cooking environment. Designed for eco-conscious efficiency, it maximizes airflow while minimizing energy consumption. Operating quietly at 13 Sones/65 dB, the PLSW 520 achieves a perfect balance between robust performance and serene operation, thanks to high-quality components that reduce vibration and noise. This model is enhanced with two 1.5W LED lights for bright, energy-efficient illumination, and a digital touch control panel offering three adjustable speeds for tailored ventilation. With a 6" round outlet for optimal air expulsion, the PLSW 520 stands as a testament to innovation in modern kitchen ventilation, embodying our commitment to enhancement and innovation.



Configuration and Dimensions

Hood Type	Wall Mounted
Sizes Available	30 36
30" Dimensions	29.53" W x 19.69" D x 11.81" H
36" Dimensions	35.43" W x 19.69" D x 11.81" H
Chimney Dimensions: 7.68" W x 7.87" D x 15.75"-30" H (Telescoping with Two Interlocking 15.75" Sleeves)	

Features

Control Type	Digital Touch Control
Lighting	1.5W LED

Ventilation System

Maximum Air Flow Capacity	550 CFM
Speed Levels	3 Speed
Airflow (Quiet/Low/Med/High)	150/350/550
Noise Level65 db or 13 Sones Max
Duct Type/Size	6" Round
Voltage	110v
Motor	Single
Filter Type	Stainless Steel Baffle (Dishwasher Safe)
Material	High Quality 430 Stainless Steel
Warranty3 Year Parts Warranty