

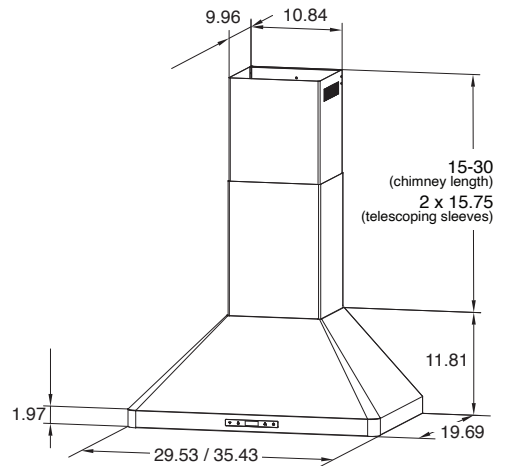


PLSW 129R

The PLSW 129R Wall Mounted Range Hood represents the zenith of kitchen ventilation, blending unparalleled efficiency with superior performance. This unit is not merely a functional appliance but a testament to advanced engineering and cutting-edge design, setting a new standard in kitchen technology.

At the heart of the PLSW 129R lies a potent 550 CFM motor, engineered to adeptly remove smoke, odors, and airborne contaminants, thereby maintaining a pristine cooking environment. This motor is specifically designed to maximize airflow and efficiency while adhering to eco-friendly standards, catering to the modern homeowner's desire for sustainable living.

Despite its powerful capabilities, the PLSW 129R operates at a low noise level of 13 Sones/65 dB, ensuring that your kitchen remains a peaceful haven.



Configuration and Dimensions

Hood Type	Wall Mounted
Sizes Available	30 36
30" Dimensions	29.53" W x 16.69" D x 11.81" H
36" Dimensions	35.43" W x 16.69" D x 11.81" H

Features

Control Type	Digital Touch Control
Lighting	1.5W LED

Ventilation System

Maximum Air Flow Capacity	550 CFM
Speed Levels	3 Speed
Airflow (Quiet/Low/Med/High)	150/350/550
Noise Level65 db or 13 Sones Max
Duct Type/Size	6" Round
Voltage	110v
Motor	Single
Filter Type	Stainless Steel Baffle (Dishwasher Safe)
Material	High Quality 430 Stainless Steel
Warranty3 Year Parts Warranty