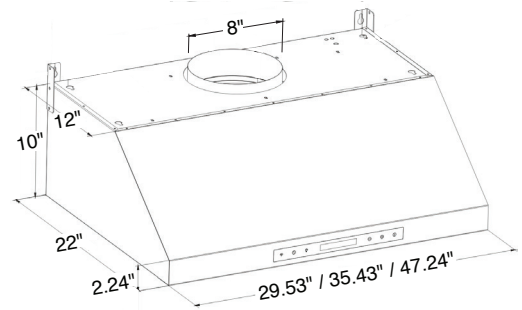




PLSW 116

Introducing the PLSW 116 Under Cabinet Range Hood: the epitome of culinary innovation designed to enhance both the ambiance and functionality of your kitchen. This modern, sleek unit is crafted for seamless integration under kitchen cabinets, merging style with sophistication to elevate your cooking space.

At the heart of the PLSW 116 lies a potent 600 CFM motor, engineered to maintain pristine air quality by effectively removing smoke, odors, and airborne particles. This ensures your kitchen remains a clean and welcoming environment for culinary exploration. Despite its powerful capabilities, the range hood operates at a whisper-quiet level of 13 Sones (65 dB), maintaining the tranquility of your kitchen atmosphere.



Configuration and Dimensions

Hood Type	Under Cabinet
Sizes Available	30 36 48
30" Dimensions.	29.53" W x 21.97" D x 10" H
36" Dimensions.	35.43" W x 21.97" D x 10" H
48" Dimensions.	47.24" W x 21.97" D x 10" H

Features

Control Type	Digital Touch Control
Lighting	1.5W LED

Ventilation System

Maximum Air Flow Capacity	600 CFM
Speed Levels	4 Speed
Airflow (Quiet/Low/Med/High).	150/300/450/600
Noise Level65 db or 13 Sones Max
Duct Type/Size	8" Round
Voltage	110v
MotorDual
Filter Type	Stainless Steel Baffle (Dishwasher Safe)
Material	High Quality 430 Stainless Steel
Warranty3 Year Parts Warranty