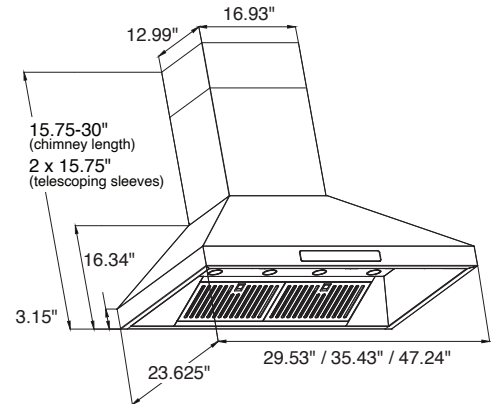




PLSW ProS

The PLSW ProS Wall Mounted Range Hood stands as a pinnacle of modern kitchen design, embodying a perfect fusion of efficiency, performance, and striking aesthetics. Designed with a keen eye for detail, its sleek, contemporary appearance makes it an ideal centerpiece for any upscale kitchen, symbolizing elegance and advanced design. At its core, a powerful 550 or 1200 CFM motor ensures the kitchen remains a clean, welcoming space by efficiently removing smoke, odors, and contaminants, all while being environmentally conscious by maximizing airflow with minimal energy consumption.

Operating quietly at 13 Sones/65 dB, the PLSW ProS combines potent performance with silent operation, thanks to high-quality components and thoughtful design. Enhanced with two 1.5W LED lights for bright, efficient illumination and an intuitive digital touch control panel for easy speed adjustment (150/300/400/550 or 300/600/900/1200), this range hood offers a seamless cooking experience, blending unparalleled style with unmatched functionality.



Configuration and Dimensions

Hood Type. Wall Mounted
 Sizes Available 30 | 36 | 48
 30" Dimensions. 29.53" W x 23.625" D x 16.34" H
 36" Dimensions. 35.43" W x 23.625" D x 16.34" H
 48" Dimensions. 47.24" W x 23.625" D x 16.34" H
 Chimney Dimensions: 16.93" W x 12.99" D x 15.75"-30" H
 (Telescoping with Two Interlocking 15.75" Sleeves)

Features

Control Type Digital Touch Control
 Lighting 1.5W LED lights:
 2 lights for 30" and 36" widths, 4 lights for 48" width

Ventilation System

Maximum Air Flow Capacity 550 or 1200 CFM
 Speed Levels 4 Speed
 Airflow (Quiet/Low/Med/High). 150/300/400/550
 or 300/600/900/1200
 Noise Level 65 db or 13 Sones Max
 Duct Type/Size 6" round or 2 pcs of 6" round outlet
 Voltage 110v
 Motor Single or Dual
 Filter Type Stainless Steel Baffle (Dishwasher Safe)
 Material High Quality 430 Stainless Steel
 Warranty 3 Year Parts Warranty