



Now Available  
3 Colors:



Stainless Steel



Matte Black



Gloss White

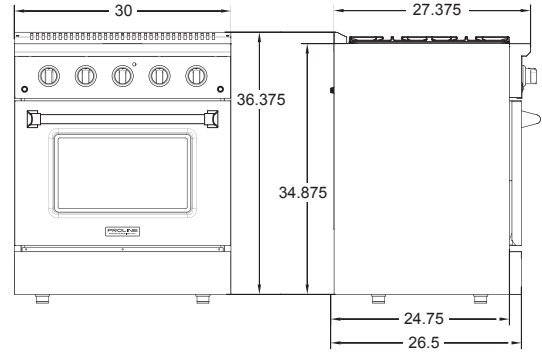
## The PLSR 30GG

The 30-inch PLSR 30GG gas range packs serious professional cooking power into a compact, elegant form. As the petite but mighty member of Proline's range series, this range provides exceptional capacity and versatility for its size. It becomes a gorgeous focal point in kitchens where space is at a premium without sacrificing features or performance.

### Cooktop

4 burners for ultimate cooking flexibility:

- 2 x 15,000 BTU dual burners with simmer
- 2 x 9,000 BTU burners
- Heavy-duty cast-iron cooking grates for durability and heat retention



### Dimensions & Electrical Requirements

Dimensions . . . . . 30" W x 27.375" D x 34.875" H  
(up to 37.5" legs fully extended)

Electrical Req. . . . . 120V/60Hz or 2.0A

### Ovens

- 4.2 cu. ft. oven with 22,000 BTU convection and 10,000 BTU Broil
- Blue porcelain oven interiors for easy cleaning and stylish appearance
- 2 halogen lights for excellent visibility
- 2 layers of glass on oven windows for added safety
- Manual oven control and electronic ignition with auto re-ignition for reliable performance
- Manual convection cooking mode for ultimate control



### Design & Details

- Black porcelain top and full stainless steel side panels for a sleek, modern look
- Premium quality metal control knobs
- Extra-large oven windows
- Fully adjustable heavy-duty legs for stability and easy leveling

### Accessories

- Available in Natural Gas or Liquid Propane to suit your fuel preference



Now Available  
3 Colors:



Stainless Steel



Matte Black



Gloss White

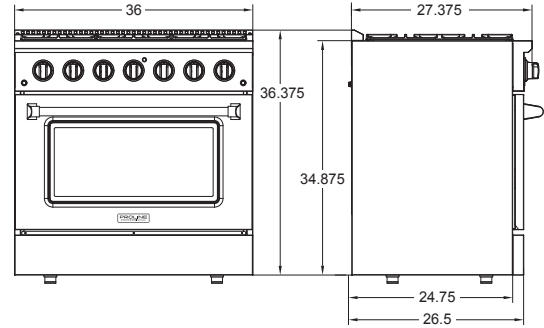
## The PLSR 36GG

Embrace the perfect harmony of performance, capacity, and design with our 6-burner PLSR 36GG gas range and 4.5 cu.ft electric convection oven. Elevate your kitchen and culinary experience by ordering yours today and savor the pleasure of consistently flawless cooking!

### Cooktop

6 burners for ultimate cooking flexibility:

- 1 x 20,000 BTU dual burners with simmer
- 1 x 15,000 BTU burners
- 1 x 12,000 BTU burners
- 2 x 9,000 BTU burners
- 1 x 6,000 BTU burners
- Heavy-duty cast-iron cooking grates for durability and heat retention



### Dimensions & Electrical Requirements

Dimensions . . . . . 36" W x 27.375" D x 34.875" H  
(up to 37.5" legs fully extended)

Electrical Req. . . . . 120V/60Hz or 2.OA

### Ovens

- 4.5 cu. ft. oven with 16,500 BTUs convection for perfect roasting and baking
- Blueporcelain oven interiors for easy cleaning and stylish appearance
- 2 halogen lights for excellent visibility
- 2 layers of glass on oven windows for added safety
- Manual oven control and electronic ignition with auto re-ignition for reliable performance
- Manual convection cooking mode for ultimate control



### Design & Details

- Black porcelain top and full stainless steel side panels for a sleek, modern look
- Premium quality metal control knobs
- Extra-large oven windows
- Fully adjustable heavy-duty legs for stability and easy leveling

### Accessories

- Available in Natural Gas or Liquid Propane to suit your fuel preference



Now Available  
3 Colors:



Stainless Steel



Matte Black



Gloss White

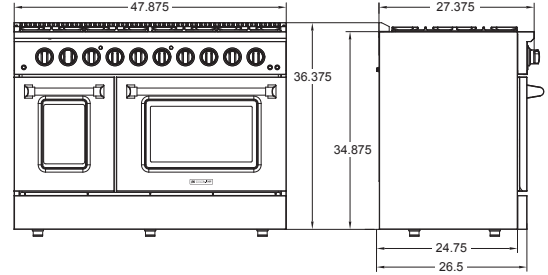
## The PLSR 48GG

The spacious 48-inch PLSR 48GG gas range brings professional cooking power right into your home kitchen. With its modern, elegant design and durable stainless steel construction, this range provides ample capacity to cook multiple dishes at once, even handling large roasts and oversized pans with ease.

### Cooktop

8 burners for ultimate cooking flexibility:

- 2 x 20,000 BTU dual burners with simmer
- 2 x 12,000 BTU burners
- 2 x 9,000 BTU burners
- 2 x 6,000 BTU burners
- Removable professional griddle/grill for versatile cooking options
- Heavy-duty cast-iron cooking grates for durability and heat retention



### Dimensions & Electrical Requirements

Dimensions . . . . . 47.875" W x 27.375" D x 34.875" H  
(up to 37.5" legs fully extended)

Electrical Req. . . . . 120V/60Hz or 2.5A

### Ovens

- 4.2 cu. ft. main oven with 10,000 BTUs convection and 6,000 BTUs broiler for perfect roasting and baking
- 2.5 cu. ft. secondary oven with 2,800 W tube burner for additional cooking capacity
- Black porcelain oven interiors for easy cleaning and stylish appearance
- 2 halogen lights for excellent visibility
- 2 layers of glass on oven windows for added safety
- Manual oven control and electronic ignition with auto re-ignition for reliable performance
- Manual convection cooking mode for ultimate control



### Design & Details

- Black porcelain top and full stainless steel side panels for a sleek, modern look
- Premium quality metal control knobs
- Extra-large oven windows
- Fully adjustable heavy-duty legs for stability and easy leveling

### Accessories

- Included grill/griddle for even more cooking versatility
- Available in Natural Gas or Liquid Propane to suit your fuel preference