



Now Available  
3 Colors:



Stainless Steel



Matte Black



Gloss White

## The PLSR 30GE

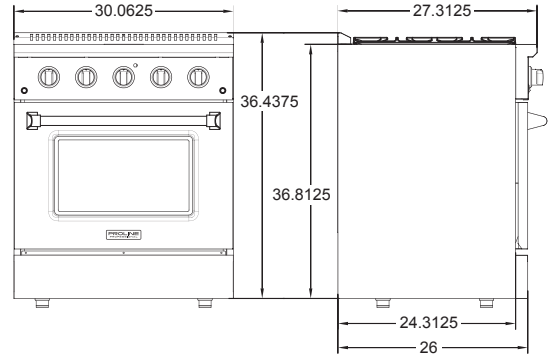
The PLSR 30GE kitchen range showcases a sleek, high-quality stainless steel construction, offering an elegant appearance, durability, and ease of cleaning. Sturdy cast iron grates provide a sturdy reliable cooking surface for pots and pans of all dimensions.

With the PLSR 30GE Kitchen Range, you have a versatile cooking solution expertly designed to balance performance, capacity, and style. Enhance your culinary experience and elevate your kitchen's appeal today!

### Cooktop

4 burners for ultimate cooking flexibility:

- 2 x 15,000 BTU dual burners with simmer
- 2 x 9,000 BTU burners
- Heavy-duty cast-iron cooking grates for durability and heat retention



### Dimensions & Electrical Requirements

Dimensions . . . . . 30.0625" W x 27.3125" D 36.4375" H  
(37.25" Adjustable)

Electrical Req. . . . . 240V/60Hz or 15A

### Ovens

- 4.2 cu. ft. oven with 3,200 W convection
- Black porcelain oven interiors for easy cleaning and stylish appearance
- 2 halogen lights for excellent visibility
- 2 layers of glass on oven windows for added safety
- Manual oven control and electronic ignition with auto re-ignition for reliable performance
- Manual convection cooking mode for ultimate control



### Design & Details

- Black porcelain top and full stainless steel side panels for a sleek, modern look
- Premium quality metal control knobs
- Extra-large oven windows
- 4" stainless steel backsplash for a professional finish.
- Fully adjustable heavy-duty legs for stability and easy leveling

### Accessories

- Available in Natural Gas or Liquid Propane to suit your fuel preference



Now Available  
3 Colors:



Stainless Steel



Matte Black



Gloss White

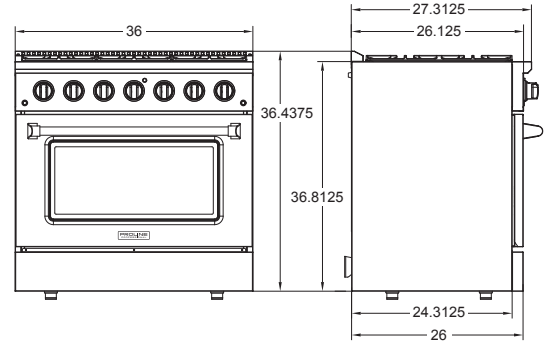
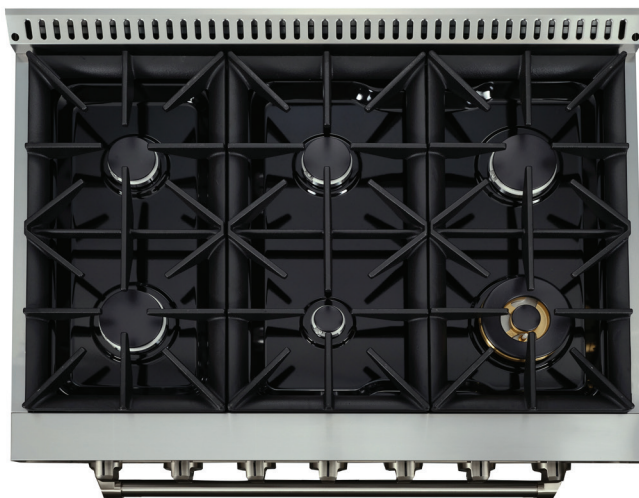
## The PLSR 36GE

Embrace the perfect harmony of performance, capacity, and design with our 6-burner PLSR 36GE gas range and 4.5 cu.ft electric convection oven. Elevate your kitchen and culinary experience by ordering yours today and savor the pleasure of consistently flawless cooking!

### Cooktop

6 burners for ultimate cooking flexibility:

- 1 x 20,000 BTU dual burners with simmer
- 1 x 15,000 BTU burners
- 1 x 12,000 BTU burners
- 2 x 9,000 BTU burners
- 1 x 6,000 BTU burners
- Heavy duty cast-iron cooking grates for durability and heat retention



### Dimensions & Electrical Requirements

Dimensions . . . . . 36" W x 27.3125" D 36.4375" H  
(37.25" Adjustable)

Electrical Req. . . . . 240V/60Hz or 16A

### Ovens

- 4.5 cu. ft. oven with 3,400 W convection and 2,800 W broiler for perfect roasting and baking
- Black porcelain oven interiors for easy cleaning and stylish appearance
- 2 halogen lights for excellent visibility
- 2 layers of glass on oven windows for added safety
- Manual oven control and electronic ignition with auto re-ignition for reliable performance
- Manual convection cooking mode for ultimate control



### Design & Details

- Black porcelain top and full stainless steel side panels for a sleek, modern look
- Premium quality metal control knobs
- Extra-large oven windows
- 4" stainless steel backsplash for a professional finish.
- Fully adjustable heavy-duty legs for stability and easy leveling

### Accessories

- Available in Natural Gas or Liquid Propane to suit your fuel preference



Now Available  
3 Colors:



Stainless Steel



Matte Black



Gloss White

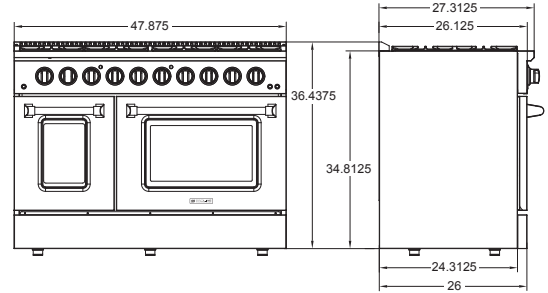
## The PLSR 48GE

Introducing the Ultimate 48" Dual Fuel Range – a versatile and powerful cooking solution designed for the modern kitchen. This premium range features 8 high-performance burners, a removable professional griddle/grill, two spacious ovens, and a sleek, stylish design that will elevate your cooking experience.

### Cooktop

8 burners for ultimate cooking flexibility:

- 2 x 20,000 BTU dual burners with simmer
- 2 x 12,000 BTU burners
- 2 x 9,000 BTU burners
- 2 x 6,000 BTU burners
- Removable professional griddle/grill for versatile cooking options
- Heavy-duty cast-iron cooking grates for durability and heat retention



### Dimensions & Electrical Requirements

Dimensions . . . . . 47.875" W x 27.3125" D 36.4375" H  
(37.25" Adjustable)

Electrical Req. . . . . 240V/60Hz or 25A

### Ovens

- 4.2 cu. ft. main oven with 3,200 W convection and 2,800 W broiler for perfect roasting and baking
- 2.5 cu. ft. secondary oven with 2,800 W tube burner for additional cooking capacity
- Blue porcelain oven interiors for easy cleaning and stylish appearance
- 2 halogen lights for excellent visibility
- 2 layers of glass on oven windows for added safety
- Manual oven control and electronic ignition with auto re-ignition for reliable performance
- Manual convection cooking mode for ultimate control



### Design & Details

- Black porcelain top and full stainless steel side panels for a sleek, modern look
- Premium quality metal control knobs
- Extra-large oven windows
- 4" stainless steel backsplash for a professional finish.
- Fully adjustable heavy-duty legs for stability and easy leveling

### Accessories

- Included grill/griddle for even more cooking versatility
- Available in Natural Gas or Liquid Propane to suit your fuel preference