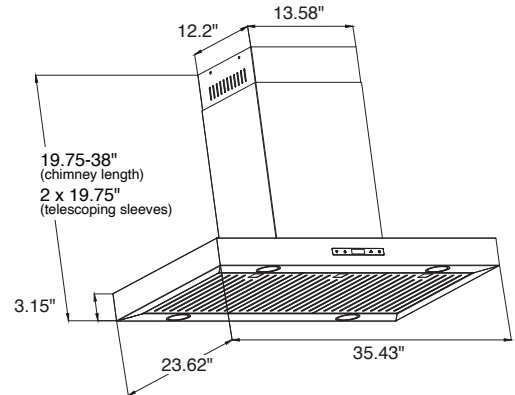




PLSI 755F

The PLSI 755F.36 Island Mounted Range Hood, a 36-inch model, redefines kitchen ventilation with its modern design, seamlessly integrating into contemporary kitchens. With dimensions of 35.43 inches wide and 23.62 inches deep, it stands as a striking feature on kitchen islands, combining utility with visual appeal. Its minimalist aesthetic, characterized by clean lines, adds sophistication, while the powerful 550 CFM motor ensures efficient smoke and odor removal, promoting a healthier cooking environment with minimal energy consumption. Operating quietly at 65 dB, it balances performance with tranquility, thanks to high-quality components that minimize noise. Equipped with four 1.5W LED lights for optimal illumination and a digital touch control panel for easy speed adjustments (150/350/550), the PLSI 755F.36 offers precise ventilation control. Its design, focusing on eco-friendliness and efficiency, makes it a pinnacle of modern kitchen design and functionality.



Configuration and Dimensions

Hood Type Island Mounted
 Sizes Available 36
 36" Dimensions. 35.43" W x 23.62" D x 3.15" H
 Chimney Dimensions: 13.58" W x 12.2" D x 19.75"-38" H (Telescoping with Two Interlocking 19.75" Sleeves)

Features

Control Type Digital Touch Control
 Lighting 1.5W LED

Ventilation System

Maximum Air Flow Capacity 550 CFM
 Speed Levels 3 Speed
 Airflow (Quiet/Low/Med/High). 150/350/550
 Noise Level 65 db or 13 Sones Max
 Duct Type/Size 6" Round
 Voltage 110v
 Motor Dual
 Filter Type Stainless Steel Baffle (Dishwasher Safe)
 Material High Quality 430 Stainless Steel
 Warranty 3 Year Parts Warranty