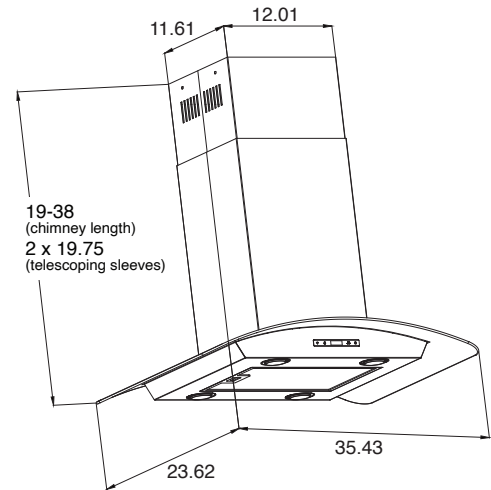




## PLSI 543

The PLSI 543.36 Island Mounted Range Hood, a 36-inch model, revolutionizes kitchen ventilation with its cutting-edge design, featuring a unique glass panel that adds elegance and a sense of space to modern kitchens. Measuring 35.43 inches wide and 23.62 inches deep, it serves as a striking focal point on any kitchen island, blending functionality with style. Its sleek glass design is not only visually appealing but also easy to maintain, ensuring lasting beauty. Equipped with a powerful 550 CFM motor, it efficiently clears smoke and odors at a quiet 65 dB, maintaining a clean and pleasant cooking environment. The hood includes four 1.5W LED lights for optimal illumination, a digital touch control panel for easy speed adjustments (150/350/550), and a 6" round outlet for effective ventilation, embodying the pinnacle of modern kitchen design and functionality.



### Configuration and Dimensions

Hood Type . . . . . Island Mounted  
 Sizes Available . . . . . 36  
 36" Dimensions . . . . . 35.43" W x 23.62" D x 21.65-35.43" H

### Features

Control Type . . . . . Digital Touch Control  
 Lighting . . . . . 1.5W LED

### Ventilation System

Maximum Air Flow Capacity . . . . . 550 CFM  
 Speed Levels . . . . . 3 Speed  
 Airflow (Quiet/Low/Med/High) . . . . . 150/350/550  
 Noise Level . . . . . .65 db or 13 Sones Max  
 Duct Type/Size . . . . . 6" Round  
 Voltage . . . . . 110v  
 Motor . . . . . Single  
 Filter Type . . . . . Stainless Steel Baffle (Dishwasher Safe)  
 Material . . . . . High Quality 430 Stainless Steel  
 Warranty . . . . . 3 Year Parts Warranty