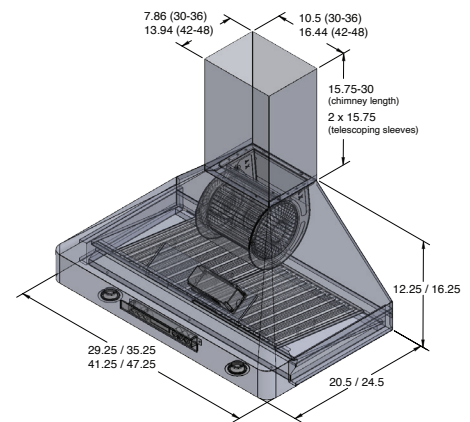




**The PLJW 130** The modern tapered design features rounded corners and a functional yet elegant four-speed LCD control panel. The control panel offers added flexibility, allowing you to easily adjust your hood's CFM with a user-friendly touch screen. It also has LED lights to help you read recipes and cookbooks and cook meals with ease. At Proline Range Hoods, we believe range hoods provide both beauty and function. While a hood should impress your friends and family and stand out in your kitchen, it should also clean your air effectively, streamline your cooking process and be adaptable to anyone's cooking style. The PLJW 130 checks all these boxes. When people think of range hood function, one of the first things that crosses their mind is power. The PLJW 130 has more than enough CFM to accommodate your cooking style. In fact, at 900 CFM, it rivals our professional hoods. Indulge in industry-leading beauty and function with Proline's elegant PLJW 130.



**Configuration and Dimensions**

Hood Type . . . . .	Wall
Sizes Available . . . . .	30   36   42   48
30" Dimensions . . . . .	29.25" W x 20.5" D x 12.25" H
36" Dimensions . . . . .	35.25" W x 20.5" D x 12.25" H
42" Dimensions . . . . .	41.25" W x 20.5" D x 16.25" H
48" Dimensions . . . . .	47.25" W x 20.5" D x 16.25" H
Chimney Dimensions: 10.5" (30-36) W or 16.44" (42-648 W x 7.86" (30-36) D or 13.94" (42-48) D x 15.75"-30" H (Telescoping with Two Interlocking 15.75" Sleeves)	

**Features**

Control Type . . . . .	LCD Touch Panel
Lighting . . . . .	LED

**Ventilation System**

Maximum Air Flow Capacity . . . . .	.900 or 1200 CFM
Speed Levels . . . . .	4 Speeds
Airflow (Quiet/Low/Med/High) . . . . .	.225/450/675/900 or 300/600/900/1200
Noise Level . . . . .	51.2 or 53.8 db or 5 or 6 Sones Max
Duct Type/Size . . . . .	Round 6 or 8
Voltage . . . . .	110v
Motor . . . . .	Single or Dual
Filter Type . . . . .	Stainless Steel Baffle (Dishwasher Safe)
Material . . . . .	High Quality 430 Stainless Steel
Warranty . . . . .	.3 Year Parts Warranty