

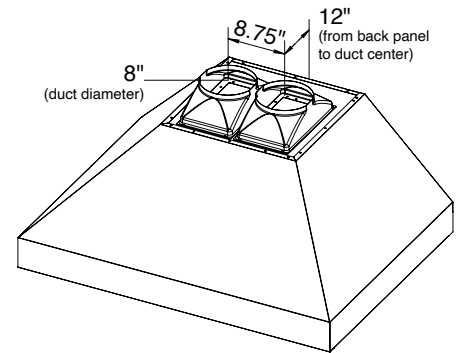
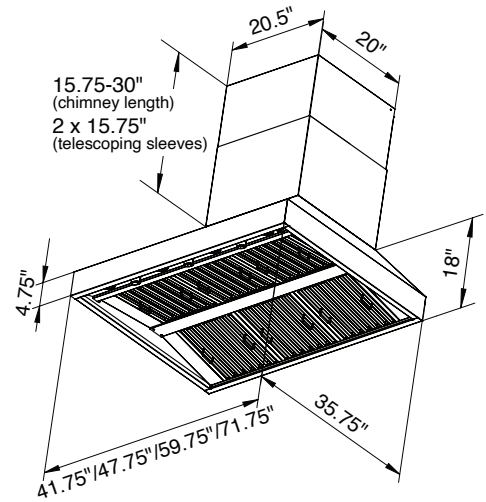


PLGW BBQ ULTRA WC

Introducing the Proline Ultra BBQ Wall Mounted Range Hood, a premium addition to your outdoor kitchen designed to handle the highest grill temperature and the toughest weather conditions. Specifically designed for wall installations, this range hood combines powerful ventilation with a sleek, stylish design that enhances any outdoor cooking space. Crafted from high-grade stainless steel, it ensures exceptional durability and resistance to rust and corrosion, standing up to both harsh weather conditions and intense grilling heat.

This wall mount range hood features a high-performance motor that effectively removes smoke and odors, providing a clean and enjoyable cooking environment. The weatherproof construction guarantees reliable operation in all weather conditions, from heavy rain to intense sun. Additionally, the low-noise design ensures a tranquil cooking experience, allowing you to maintain conversations and enjoy the outdoor atmosphere. Maintenance is simple with removable baffle filters that are dishwasher safe, making cleaning a breeze.

Available in 42, 48, 60 and 72 inch sizes, the Proline Ultra BBQ Wall Mount range hood is the perfect choice for combining functionality with aesthetic appeal. Its robust features, including extreme heat tolerance and powerful ventilation, make it an essential addition to any outdoor kitchen. Enjoy a smoke-free and pleasant cooking experience with this durable, low-maintenance range hood that delivers superior performance in any setting.



Configuration and Dimensions

| | |
|---|-----------------------------|
| Hood Type | Wall Mount |
| Sizes Available | 42 48 60 72 |
| 42" Dimensions | 41.75" W x 35.75" D x 18" H |
| 48" Dimensions | 47.75" W x 35.75" D x 18" H |
| 60" Dimensions | 59.75" W x 35.75" D x 18" H |
| 72" Dimensions | 71.75" W x 35.75" D x 18" H |
| Chimney Dimensions: 20.5" W x 20" D x 15.75"-30" H (Telescoping with Two Interlocking 15.75" Sleeves) | |

Features

| | |
|------------------------|----------------------------|
| Control Type | Rotary Switch |
| Lighting | .3w Sealed LED Gimbal Spot |

Ventilation System

| | |
|-------------------------------------|--|
| Maximum Air Flow Capacity | 2000 CFM |
| Speed Levels | 4 |
| Noise Level | 56.06 db or 7 Sones Max |
| Duct Type/Size | 2 x 8 |
| Voltage | 110v |
| Motor | .Dual |
| Filter Type | Stainless Steel Baffle (Dishwasher Safe) |
| Material | High Quality 304 Stainless Steel |
| Warranty | .3 Year Parts Warranty |