

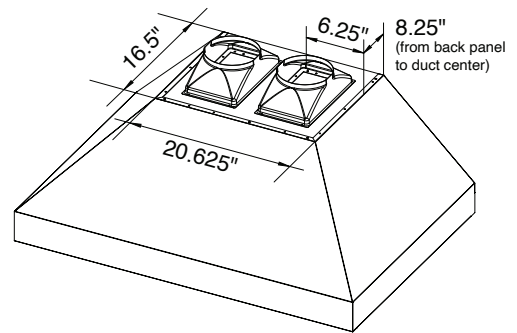
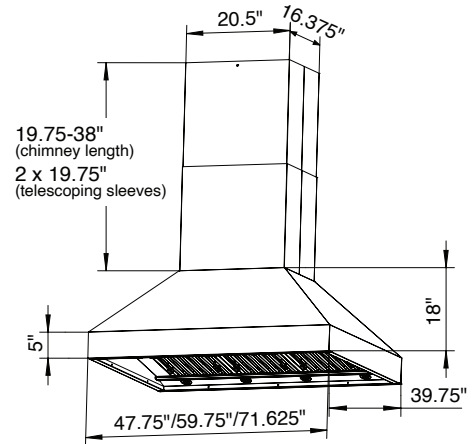


PLGI BBQ ULTRA

Enhance your outdoor kitchen island with the Proline Ultra BBQ Island Range Hood. Expertly designed for island installations, this range hood combines powerful ventilation with a sleek design that complements any outdoor kitchen setup. Constructed from high-grade stainless steel, it offers superior rust and corrosion resistance, ensuring durability in the harshest weather conditions and intense grill heat.

The Proline Ultra BBQ Island Range Hood features a high-performance motor that provides powerful ventilation, effectively removing smoke and odors to maintain a clean, smoke-free cooking environment. Its extreme heat tolerance guarantees reliable performance, while the weatherproof construction ensures it can withstand everything from heavy rain to intense sun. Engineered for minimal maintenance, this range hood promises long-lasting functionality with minimal upkeep.

Available in 48" and 60" widths, the Proline Ultra BBQ Island Range Hood is perfect for those seeking a combination of high performance and aesthetic appeal. Its low-noise design ensures a tranquil cooking environment, allowing you to enjoy your outdoor space without disruption. Upgrade your outdoor kitchen with this durable, stylish, and powerful range hood, and enjoy peace of mind and a superior cooking experience.



Configuration and Dimensions

Hood Type	Island Mount
Sizes Available	48 60
48" Dimensions	48" W x 39.75" D x 18" H
60" Dimensions	60" W x 39.75" D x 18" H
Chimney Dimensions: 20.5" W x 16.3" D x 19.75"-38" H (Telescoping with Two Interlocking 19.75" Sleeves)	

Features

Control Type	Rotary Switch
Lighting3w Sealed LED Gimbal Spot

Ventilation System

Maximum Air Flow Capacity	2000 CFM
Speed Levels	4
Noise Level	56.06 db or 7 Sones Max
Duct Type/Size	2 x 8
Voltage	110v
MotorDual
Filter Type	Stainless Steel Baffle (Dishwasher Safe)
Material	High Quality 304 Stainless Steel
Warranty3 Year Parts Warranty