

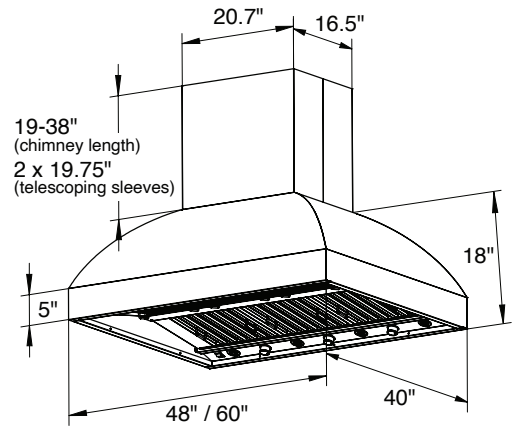


## PLGI BBQ PRO

Discover the Proline Island BBQ Range Hood, crafted for discerning home grill masters. Made from 1.2mm solid 304 stainless steel, this range hood is built to withstand harsh outdoor conditions, ensuring durability and a sleek look for any high-end outdoor kitchen. The weather-resistant design guarantees longevity and a pristine appearance in any environment.

Equipped with dual 1000 CFM motors (totaling 2000 CFM) and 4 adjustable speed settings, this model provides precise control over ventilation, creating a smoke-free outdoor kitchen. The advanced baffle filters maximize airflow while effectively capturing grease and particles, ensuring a clean cooking area. Brighten your grilling space with sealed 3W dimmable LED gimbal spotlights, designed to withstand high heat and provide adjustable illumination.

Installation is a breeze with the easy-hang bracket system, ensuring a quick and hassle-free setup. Upgrade your outdoor kitchen with the ProLine Island Range Hood for top-tier performance, exceptional build quality, and effortless installation. Enjoy luxury and functionality with ProLine, enhancing your outdoor cooking experience with superior ventilation and modern design.



### Configuration and Dimensions

Hood Type	Island Mount
Sizes Available	48   60
48" Dimensions	48" W x 40" D x 18" H
60" Dimensions	60" W x 40" D x 18" H
Chimney Dimensions	20.7" W x 16.5" D x 19-38" H

### Features

Control Type	Rotary
Lighting	.3w Sealed LED Gimbal Spot

### Ventilation System

Maximum Air Flow Capacity	2000 CFM
Speed Levels	4
Noise Level	56.06 db or 7 Sones Max
Duct Type/Size	2 x 8
Voltage	110v
Motor	.Dual
Filter Type	Stainless Steel Baffle (Dishwasher Safe)
Material	High Quality 430 Stainless Steel
Warranty	.3 Year Parts Warranty