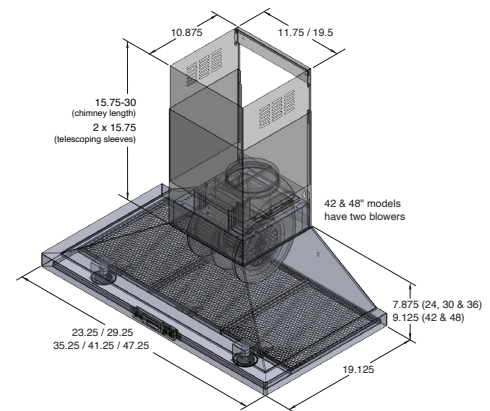




PLFW 520 the PLFW 520 includes high-efficiency stainless steel mesh filters that filter grease, dirt, and unwanted air out of your kitchen. This wall hood will drastically improve your indoor air quality and contribute to a healthy, comfortable lifestyle. With a dual 600 CFM blower, the 520 has enough power for any job in the kitchen. If you don't need all that power, you can adjust it with the push of a button. The LED display control panel with push buttons features blower speed controls – this model has six different speeds! Also on the control panel, you'll find LED lights controls. These are really convenient to brighten your entire cooktop while cooking! And finally, when you're finishing up in the kitchen, after 1-2 months of use, toss your stainless steel mesh filters into your dishwasher. Easy! The 520 provides impressive functionality and looks beautiful in the kitchen.



Configuration and Dimensions

Hood Type	Wall
Sizes Available	24 30 36 42 48
24" Dimensions	23.25" W x 19.125" D x 7.875" H
30" Dimensions	29.25" W x 19.125" D x 7.875" H
36" Dimensions	35.25" W x 19.125" D x 7.875" H
42" Dimensions	41.25" W x 19.125" D x 9.125" H
48" Dimensions	47.25" W x 19.125" D x 9.125" H
Chimney Dimensions: 11.75" (24-36) W or 19.5" (42-48) W x 10.875" D x 15.75"-30" H (Telescoping with Two Interlocking 15.75" Sleeves)	

Features

Control Type	Backlit Touch Button with LED Display
Lighting	LED

Ventilation System

Maximum Air Flow Capacity	600 or 1200 CFM
Speed Levels	6 Speeds
Airflow (Quiet/Low/Med/High)	100/200/300/400/500/600 or 200/400/600/800/1000/1200
Noise Level	48 db or 4 Sones Max
Duct Type/Size	Single 6 (600 CFM) or Dual 10 (1200 CFM)
Voltage	110v
Motor	Single or Dual
Filter Type	Stainless Steel Mesh (Dishwasher Safe)
Material	High Quality 430 Stainless Steel
Warranty3 Year Parts Warranty