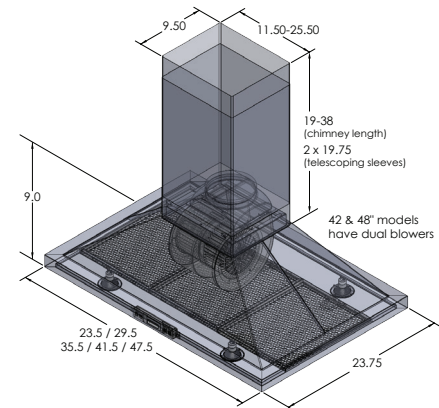




The PLFI 520 is the perfect fit for your kitchen. You can purchase charcoal filters to convert this hood to ductless, so if you live in an apartment or condo, this hood is just for you. You'll enjoy clean kitchen air thanks to efficient stainless steel mesh filters that capture grease, dirt, and other unwanted contaminants when your hood is running. After a couple months, your baffle filters may become greasy. But, that's nothing to worry about. Simply throw your filters into the dishwasher and run them through a cycle!



Configuration and Dimensions

Hood Type	Island
Sizes Available	24 30 36 42 48
24" Dimensions	23.5" W x 23.75" D x 9" H
30" Dimensions	29.5" W x 23.75" D x 9" H
36" Dimensions	35.5" W x 23.75" D x 9" H
42" Dimensions	41.5" W x 23.75" D x 9" H
48" Dimensions	47.5" W x 23.75" D x 9" H

Features

Control Type Featherlight Touch Buttons with LED Display
Lighting LED

Ventilation System

Maximum Air Flow Capacity 24"-36" (600) or 42"-48" (1100) CFM
Speed Levels 6 Speeds
Airflow (Quiet/Low/Med/High) 100/200/300/400/500/600
or 183/367/550/733/917/1100
Noise Level 48 db or 6 Sones Max
or 53.8 db or 10 Sones Max
Duct Type/Size Round 6/10
Voltage 110v
Motor Single or Dual
Filter Type Stainless Steel Mesh (Dishwasher Safe)
Material High Quality 430 Stainless Steel
Warranty 3 Year Parts Warranty