



Proline PLJW104 / 104 Signature & PLJW109WC Range Hoods

USER MANUAL

Table of Contents

Safety Information	2	Final Installation Check	9
Warranty Information and Return Policy	3	Control Panel Overview	10
Pre-installation	4	Maintenance	10
Hood Installation and Chimney	6	Additional Resources	11
Grease Tray Installation	8		
Baffle Filter Installation	9		

Safety Information

Ask a qualified professional such as a licensed general contractor to install your range hood. Electrical wiring must be installed, insulated, and grounded by a licensed electrician familiar with your local codes and regulations. If you don't have this background, do not install the hood yourself. Poor installation or electrical work may result in an injury.

- Range hoods can be heavy to mount, so always ask a friend for help.
- Wear protective gloves when handling the range hood and its filters. The edges can be sharp.
- For residential use only. Do not install your hood in a restaurant or other commercial environment. Our hoods do not abide by the rules and regulations for commercial use.
- Do not use your hood to vent hazardous or explosive materials and vapors. This is incredibly dangerous and may result in serious injury.
- When cleaning the unit, make sure the power is turned off.
- When troubleshooting or replacing the touch panel, circuit board, or other electrical components, turn power to the range hood off.
- Check your local codes and regulations to see what type of ductwork is required. Some codes require rigid metal ductwork. Do not use flex duct for your range hood, as it can wear down quickly. Air may escape into your walls or attic.

- Never vent your ducted hood into an attic, joists in your ceiling, or a soffit. Always vent the hood to the outside to keep grease, smoke, and unwanted contaminants out of your home.
- Avoid electrical wiring when drilling a hole into your wall or ceiling for ductwork.
- Clean or replace old ductwork with new rigid ductwork to prevent potential grease fires and increase the efficiency of your range hood.
- Seal all joints in your duct system with aluminum tape to prevent air from escaping in your walls or attic.
- Check your local regulations to determine if you need make-up air. When a range hood vents air out of your home, that air has to be replaced. If you operate a powerful range hood (600+ CFM) in a small kitchen, you may need make-up air. We do not sell make-up air kits.
- Clean your range hood filters, grease trays, and the range hood every few weeks. Heavy grease buildup shortens the life of your hood and it may lead to a grease fire.
- All Proline range hoods are ETL certified. They meet all industry standards and regulations to ensure your safety.
- Use the high setting on your range hood to vent heavy smoke or heat in case of emergency. Otherwise, use the lower settings to prolong the life of your hood.
- While your range hood is on, do not leave your cooking area unattended.

Safety Information (continued)

- When cooking with oils, do not heat them past their smoke point. If oil starts smoking, turn off the burner and discard any food that came into contact with it. Do not use extra virgin olive oil in high heat, since it starts to smoke at around 300° Fahrenheit.

In the event of a grease fire:

- Smother the flames with a large lid, pan, or baking sheet. If the fire is small, smother it with baking soda or salt. For larger fires, use a fire extinguisher.
- Turn off all burners.

- Do not touch a flaming pan. This may result in serious burns.
- Keep all flammable materials away from the grease fire. This may include nail polish remover, flour, rubbing alcohol, and hand sanitizer, among other household items.
- Do not pour water on a grease fire. Water will spread the oil around, making the fire more potent and dangerous. Wet towels and rags will also spread the oil, so avoid using these as well.
- If you cannot contain the fire, call the fire department immediately.

Warranty Information and Return Policy

Proline 3-Year Warranty

All of our range hoods have a three-year warranty. For the first year, we cover parts and labor. This doesn't include installation. For the second and third years of your warranty, we'll cover parts only. This warranty covers every part of your range hood except the following:

- Range hood filters
- Range hood lights
- Any dents, dings, scratches, or other damage to the outside of the hood

If you're outside of the warranty and your hood is not working properly, call us at (801) 973-3959 and we'll help you resolve your issue. We can typically help fix your Proline range hood at a reasonable price so you don't have to replace the entire range hood.

Proline Return Policy

For the most accurate return policy, please scan the QR code at the back of this manual or visit our website. Printed materials may occasionally be outdated or incomplete. Always refer to our online support section for the latest information.

We want you to be completely satisfied with your purchase. Please read the following carefully before installation or discarding packaging:

1. Damaged or Defective? Let Us Know Within 5 Days

If your hood arrives damaged or defective, you must notify us within 5 business days of delivery. We'll work with you to repair, replace, or fully refund the item at no cost to you. Claims made after 5 business days will not be accepted.

2. Changed Your Mind? Return Window Up to 30 Days

If your hood is not damaged but you still want to return it, you may request a return within 30 days of delivery. If your return is approved, a 20% restocking fee will apply.

3. No Returns After 30 Days

We do not accept returns under any circumstance beyond 30 days from delivery.

4. Installed Products Cannot Be Returned

Items that have been installed or show any signs of installation are not eligible for return.

5. Keep the Packaging

All returns must include the original packaging. If any part of the packaging is missing or discarded, the return will be denied.

6. Photo Documentation Required

To process a return request, photo documentation is required:

- If the box has been **opened**, you must provide **6 clear photos** showing all sides of the range hood, including the top and bottom, *outside* of the packaging.
- If the box is **unopened**, please provide **photos showing the factory seal on the tape has not been broken**.

CHIMNEYS AND CHIMNEY EXTENSIONS ARE NOT RETURNABLE.

Ensure the product is uninstalled, repackaged in the original box with all accessories, and in new condition.

Pre-installation

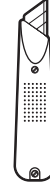
Tools Required



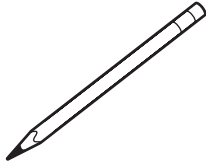
Safety Goggles



Safety Gloves



Utility Knife



Pencil



Tape



Adjustable Wrench



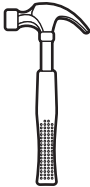
Phillips Screwdriver



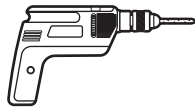
Flathead Screwdriver



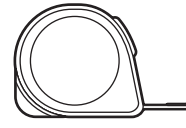
Needle Nose Pliers



Hammer



Electric Drill




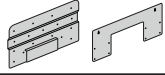


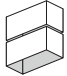



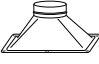





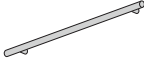

Measuring Tape



Level

Pre-installation (continued)

Parts Supplied

DESCRIPTION	IMAGE	QUANTITY
Wall Mount Hood		1
EZ Hang Wall Mount Brackets (two pieces, mounts hood to wall)		1
EZ Hang Wall Bracket Screws 4 x 25 mm (to secure bracket to wall)		Varies
EZ Hang Wall Mount Bracket Machine Screws 4 x 12 mm (to secure bracket to hood)		Varies
Two-Piece Telescoping Chimney Cover (1 set) (upper and lower chimney sections)		10
Upper Chimney Wall Bracket (1) (Secures upper chimney to wall)		1
Lower Chimney Support Brackets (2) (Secure lower chimney to hood)		2
Hood Attachment Screws (Qty. varies)		Varies
Ducting Transition Piece		2
Screws for Ducting Transition Piece		10
Baffle Filters		Varies by size
Baffle Filter Handles		Varies by size
Baffle Filter Handle Screws		Varies by size
Grease Tray		1
Decorative Front Handle Assembly (Signature Series Only)		1
Allen Wrench (for Handle Installation)		1

Hood Installation and Chimney

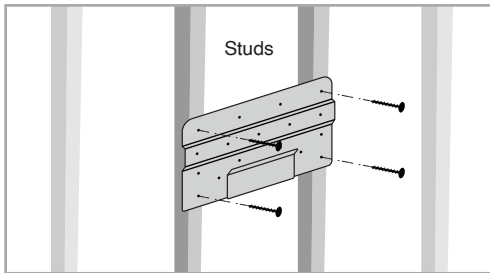
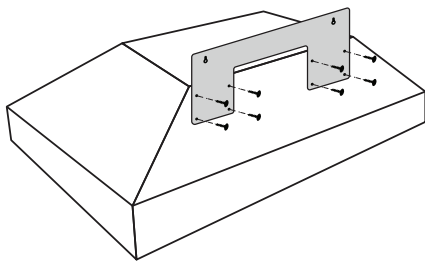
⚠ BEFORE BEGINNING INSTALLATION, plug in the hood and test the blowers and lights to make sure everything works properly before installation.

⚠ ELECTRICAL NOTE: Most of our hoods operate on a standard 120V connection and draw between 5–7 amps. If applicable, using heat lamps will increase the amp draw, so check the specifications of the bulbs. To avoid overloading your circuit, consider a dedicated line for your hood. When in doubt, consult a qualified electrician.

Plan Your Installation Location – The recommended installation height is 28"–36" above the cooking surface. For outdoor BBQ installations, mount the hood 36"–42" above the cooking surface.

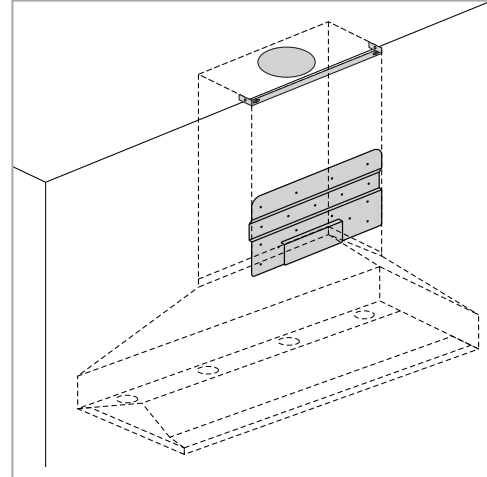
Your Ducting Route – This model requires independent 8" round rigid duct.

Step 1: Install the EZ Hang Bracket System

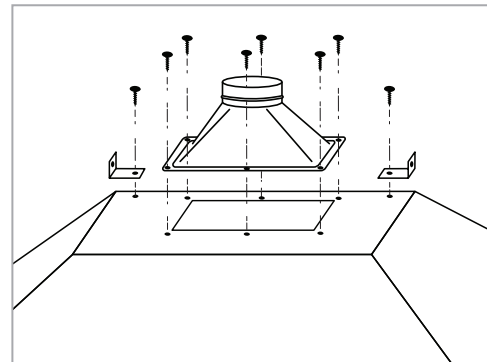


- Locate and mark the center point of your installation space. Attach the hood's EZ Hang bracket to the back of the range hood using the provided machine screws.
- Mount the wall bracket securely to the studs, making sure it's level and that the hood will sit 28–36 inches above the cooking surface (or 36"–42" for outdoor BBQ installations).

Step 2: Prepare for Ducting and Chimney Installation



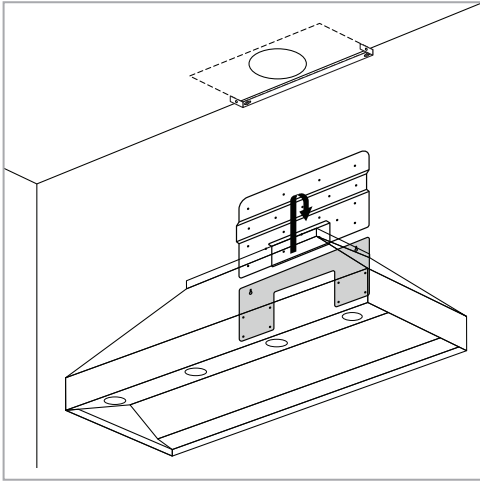
- Cut a hole in the ceiling for the ducting, aligning it precisely with the exhaust outlet on top of the hood.
- Mount the upper chimney support bracket to the wall against the ceiling, centered above the hood's installation position.



- Attach the duct transition to the top of the hood using the provided screws. Ensure the transition is fully seated before lifting the hood into position.
- Attach the lower chimney support brackets to the top rear of the hood using the provided screws. Position the brackets so they extend upward to support the lower chimney section.

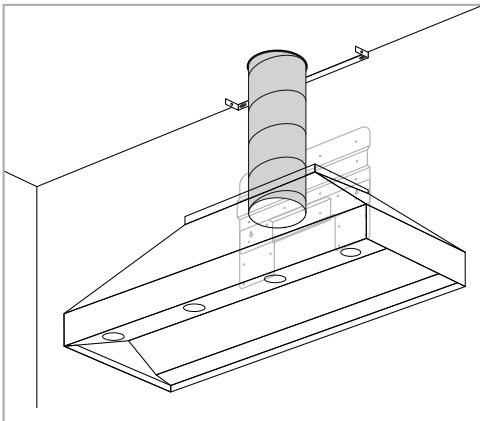
Hood Installation and Chimney (continued)

Step 3: Mount the Hood and Connect Ducting



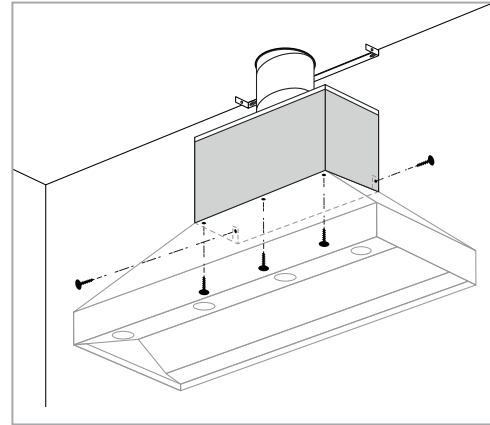
- With assistance, lift the hood and carefully hook it onto the wall bracket.
- Double-check that it's seated properly and is level before proceeding.

Step 4: Install the Ducting



- Run rigid 8-inch ducting through the ceiling openings.
- Connect the duct securely to the hood's exhaust outlet using self-tapping screws. Wrap the joint with aluminum HVAC tape to ensure a sealed, leak-free fit.

Step 5: Secure the Bottom Chimney to the Hood

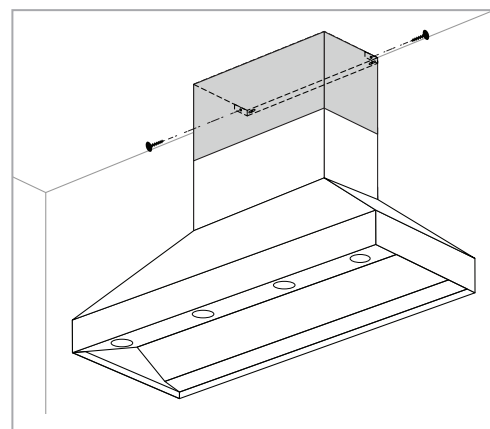


- Slide the lower chimney section down into position over the ducting.
- Align the chimney so the bottom edge rests flat on top of the hood.
- Using the provided screws, secure the chimney to the hood through the front underside mounting holes.
- Install the side screws through the chimney into the lower chimney support brackets installed earlier.

IMPORTANT:

Keep the upper chimney sleeve raised while installing screws to avoid damaging the inner chimney surface.

Step 6: Attach the Upper Chimney to the Bracket



- Pull the upper chimney sleeve (the inner piece) upward.
- Align it with the chimney bracket installed earlier.

Hood Installation (continued)

- Use the included screws to secure the chimney to the bracket.

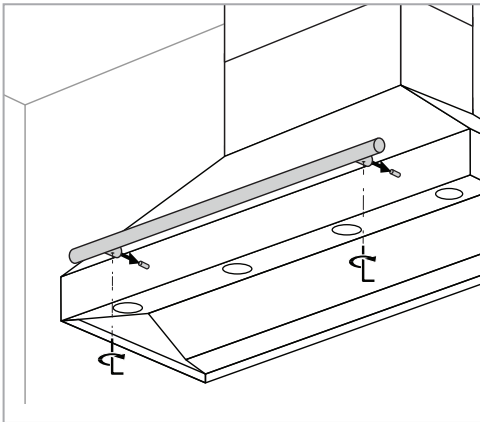
Step 7: Final Touches

Plug in the hood and test all functions (lights and blower speeds).

Signature Series Only: The decorative front handle is included with PLJW 104 Signature Series models only. If your hood does not include a handle, skip this step.

Install the Decorative Front Handle

The Signature Series model includes a decorative front handle that mounts to two pre-installed posts on the front of the hood.

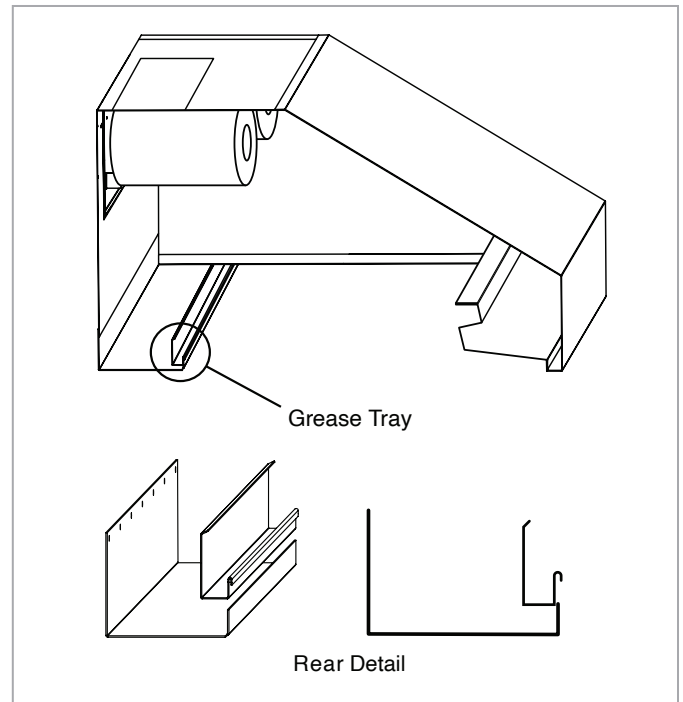


1. Align the handle standoffs with the mounting posts on the front panel.
2. Slide the handle onto the posts until the standoffs are fully seated against the hood.
3. Using the provided Allen wrench, tighten the set screw on the underside of each standoff until snug.

Do not overtighten, as this may strip the set screws or make future removal difficult.

Important: The decorative front handle is for cosmetic purposes only. Do not hang or support items from the handle. This may damage the hood and increase the risk of injury or fire.

Grease Tray Installation

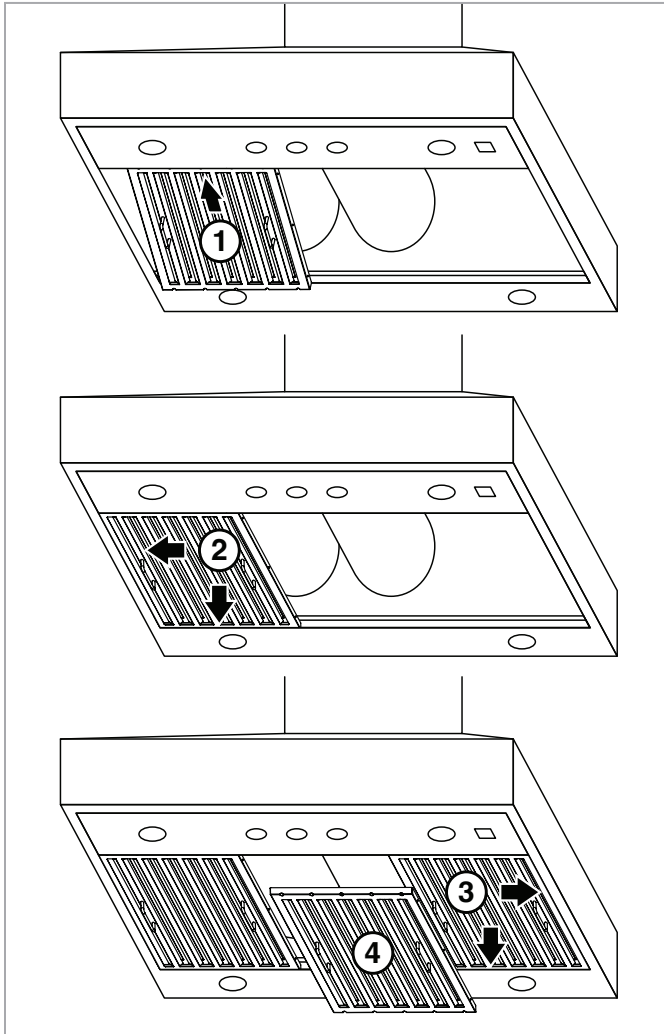


Install the grease tray into the rear support channel inside the hood, running left to right across the back interior.

- Slide the rear edge of the tray into the back of the channel, then lower the front edge so the slotted faceplate hooks over the front lip as shown.

Ensure the tray is level and fully seated before installing the baffle filters.

Baffle Filter Installation



Make sure the grease tray is installed before installing the filters.

1. **Attach Filter Handles** – Secure the provided handles to each baffle filter using the included screws before placing the filters into the hood.
2. **Insert the Front Edge** – Angle the filter upward and insert the front edge into the front filter channel above the control panel.
3. **Seat the Rear Edge** – Lift the filter until the rear edge clears the grease tray, then lower it into position.
4. **Slide Into Place** – Slide the filter left or right to make room for the remaining filters.
5. **Install Remaining Filters** – Install the remaining filters using the same method, leaving one opening for the final filter. Insert the last filter into the remaining space to complete installation.

Final Installation Check

Before operating the hood, confirm the following:

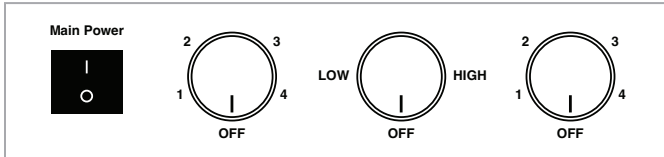
- All mounting fasteners are fully tightened
- The hood is level side-to-side and front-to-back
- The duct connection is secure and sealed (if applicable)
- The power cord is properly connected and not under tension
- The grease tray and baffle filters are installed correctly

Your installation is now complete.

Control Panel Overview

PLJW 104 & PLJW 104 Signature Series.

This control panel provides independent control of power, lighting, and each blower.



Main Power Switch

Turns the hood ON or OFF

Left Blower Speed Control

Controls left blower speed (OFF–4)

Light Brightness Control

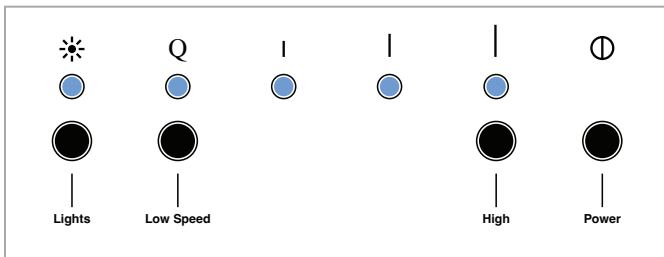
Controls LED brightness (LOW–HIGH)

Right Blower Speed Control

Controls right blower speed (OFF–4)

PLJW 109

This control panel provides independent control of power, blower speed, and lighting.



Power Button

Turns the hood ON or OFF

Blower Speed Buttons

Select from four blower speeds (1–4)

Lower speeds operate more quietly, while higher speeds provide increased ventilation power

Light Button

Controls the LED lights (LOW–HIGH–OFF)

Press once to turn the lights on. Press again to switch between brightness levels. Press again to turn the lights off

Maintenance

Your hood is equipped with stainless steel baffle filters and grease trays, both dishwasher safe and easy to remove for cleaning.

Removing the Baffle Filters

1. Grasp the filter by the handle.
2. Tilt the bottom edge out of the grease tray and lift the filter upward to remove it.

Removing the Grease Trays

1. Lift the tray upward to release it from the front clip.
2. Slide the tray out of the grease tunnel channel.

Safety Note: Handle filters and trays with care. Edges may be sharp. Avoid bending or forcing them during removal or cleaning.

Additional Resources

Scan the QR code to the right to view the most current installation manual, diagrams, and support information for your hoods.



Printed manuals may not reflect the latest updates.

That wraps up your wall range hood installation! Great work!

We are happy to help you with any questions or concerns you may have. Please create a ticket, email us at support@prolinerangehoods.com or call our support line at (801) 973-3959 to talk to a live representative.



4375 W 1980 S, Salt Lake City, UT 84104

Call (801) 973-3959
support@prolinerangehoods.com
www.prolinerangehoods.com

Our Support team hours are:
Mon-Fri 8:30 am – 5:00 pm MST