



## **Proline Island Mount Range Hoods** **PLFI 520 / 750 / 755 / ProSI Models**

**INSTALL MANUAL**

---

# Contents

---

Safety Information . . . . . 2  
Warranty Information and Return Policy . . . . . 3  
Before You Begin. . . . . 4  
Pre-Installation Checklist & Inspection . . . . . 6  
Hood Installation . . . . . 7  
Installation Complete. . . . . 9  
Maintenance . . . . . 9  
Stay Up to Date . . . . . 9

# Safety Information

---

**Ask a qualified professional such as a licensed general contractor to install your range hood. Electrical wiring must be installed, insulated, and grounded by a licensed electrician familiar with your local codes and regulations. If you don't have this background, do not install the hood yourself. Poor installation or electrical work may result in an injury.**

- Range hoods can be heavy to mount, so always ask a friend for help.
- Wear protective gloves when handling the range hood and its filters. The edges can be sharp.
- For residential use only. Do not install your hood in a restaurant or other commercial environment. Our hoods do not abide by the rules and regulations for commercial use.
- Do not use your hood to vent hazardous or explosive materials and vapors. This is incredibly dangerous and may result in serious injury.
- When cleaning the unit, make sure the power is turned off.
- When troubleshooting or replacing the touch panel, circuit board, or other electrical components, turn power to the range hood off.
- Check your local codes and regulations to see what type of ductwork is required. Some codes require rigid metal ductwork. Do not use flex duct for your range hood, as it can wear down quickly. Air may escape into your walls or attic.

- Never vent your ducted hood into an attic, joists in your ceiling, or a soffit. Always vent the hood to the outside to keep grease, smoke, and unwanted contaminants out of your home.
- Avoid electrical wiring when drilling a hole into your wall or ceiling for ductwork.
- Clean or replace old ductwork with new rigid ductwork to prevent potential grease fires and increase the efficiency of your range hood.
- Seal all joints in your duct system with aluminum tape to prevent air from escaping in your walls or attic.
- Check your local regulations to determine if you need make-up air. When a range hood vents air out of your home, that air has to be replaced. If you operate a powerful range hood (600+ CFM) in a small kitchen, you may need makeup air. We do not sell makeup air kits.
- Clean your range hood filters, grease trays, and the range hood every few weeks. Heavy grease buildup shortens the life of your hood and it may lead to a grease fire.
- All Proline range hoods are ETL certified. They meet all industry standards and regulations to ensure your safety.
- Use the high setting on your range hood to vent heavy smoke or heat in case of emergency. Otherwise, use the lower settings to prolong the life of your hood.
- While your range hood is on, do not leave your cooking area unattended.

## Safety Information (continued)

- When cooking with oils, do not heat them past their smoke point. If oil starts smoking, turn off the burner and discard any food that came into contact with it. Do not use Extra Virgin Olive Oil in high heat, since it starts to smoke at around 300° Fahrenheit.

### In the event of a grease fire:

- Smother the flames with a large lid, pan, or baking sheet. If the fire is small, smother it with baking soda or salt. For larger fires, use a fire extinguisher.
- Turn off all burners.

- Do not touch a flaming pan. This may result in serious burns.
- Keep all flammable materials away from the grease fire. This may include nail polish remover, flour, rubbing alcohol, and hand sanitizer, among other household items.
- Do not pour water on a grease fire. Water will spread the oil around, making the fire more potent and dangerous. Wet towels and rags will also spread the oil, so avoid using these as well.
- If you cannot contain the fire, call the fire department immediately.

## Warranty Information and Return Policy

### Proline 3-Year Warranty

All of our range hoods have a three-year warranty. For the first year, we cover parts and labor. This doesn't include installation. For the second and third years of your warranty, we'll cover parts only. This warranty covers every part of your range hood except the following:

- Range hood filters
- Range hood lights
- Any dents, dings, scratches, or other damage to the outside of the hood

If you're outside of the warranty and your hood is not working properly, call us at 801-973-3959 and we'll help you resolve your issue. We can typically help fix your Proline range hood at a reasonable price so you don't have to replace the whole thing.

### Proline Return Policy

**The return policy shown on this website is Proline's official policy. Printed materials that may arrive with your product could contain outdated or incorrect information. Please rely on this website for the most accurate details.**

We want you to be completely satisfied with your purchase. Please read the following carefully before installation or discarding packaging:

#### 1. Damaged or Defective? Let Us Know Within 5 Days

If your hood arrives damaged or defective, you must notify us within 5 business days of delivery. We'll work with you to repair, replace, or fully refund the item at no cost to you. Claims made after 5 business days will not be accepted.

#### 2. Changed Your Mind? Return Window Up to 30 Days

If your hood is not damaged but you still want to return it, you may request a return within 30 days of delivery. If your return is approved, a 20% restocking fee will apply.

#### 3. No Returns After 30 Days

We do not accept returns under any circumstance beyond 30 days from delivery.

#### 4. Installed Products Cannot Be Returned

Items that have been installed or show any signs of installation are not eligible for return.

#### 5. Keep the Packaging

All returns must include the original packaging. If any part of the packaging is missing or discarded, the return will be denied.

#### 6. Photo Documentation Required

To process a return request, photo documentation is required:

- If the box has been **opened**, you must provide **6 clear photos** showing all sides of the range hood, including the top and bottom, *outside* of the packaging.
- If the box is **unopened**, please provide **photos showing the factory seal on the tape has not been broken**.

#### CHIMNEYS AND CHIMNEY EXTENSIONS ARE NOT RETURNABLE.

Ensure the product is uninstalled, repackaged in the original box with all accessories, and in new condition.

# Before You Begin

---

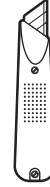
## Tools Required



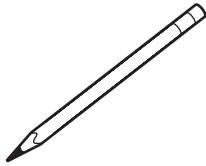
Safety Goggles



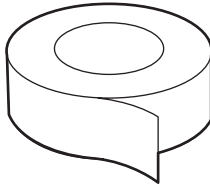
Safety Gloves



Utility Knife



Pencil



Tape



Adjustable Wrench



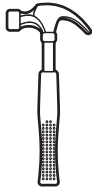
Phillips Screwdriver



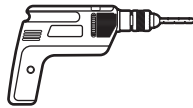
Flathead Screwdriver



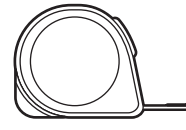
Needle Nose Pliers



Hammer



Electric Drill



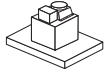
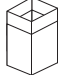
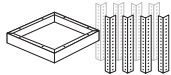
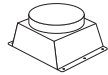

Measuring Tape



Level

## Before You Begin (continued)

### Parts Supplied

DESCRIPTION	IMAGE	QUANTITY
Hood Body		1
Chimney Sections (2)		1 set
Chimney Mounting Bracket and Angle Irons (8)		1
Transition (36" Models and Larger)		1
Hardware Pack		Varies
Baffle Filters (Style Varies by Model)		Varies by size

# Pre-Installation Checklist & Inspection

## Before Installation

Before beginning installation, inspect and test the hood to verify that it was not damaged during shipping and that all components function properly.

## Unpack and Inspect

- Carefully unpack the hood and verify that all components are present.
- Inspect the hood for visible shipping damage.
- Test the lights and blower to confirm proper operation.
- Remove any protective film from stainless steel surfaces and filters before installation.

**If you discover damage or missing parts, stop and contact Proline Customer Support at (801) 973-3959.**

## Electrical Requirements

Most Proline range hoods operate on a standard 120V connection and draw 5–7 amps during normal operation.

Plan for a grounded outlet located inside the chimney cavity. Position the outlet so that the power cord can be connected before the upper chimney section is installed.

## Verify Structural Support

**Important: The ceiling structure must support the full weight of the hood and connected ductwork.**

Inspect the ceiling joist layout before installation. Most installations require additional blocking between the joists to properly support the ceiling bracket and hood assembly. Verify that adequate structural support exists at all mounting locations and install additional reinforcement if necessary. Secure all blocking directly to the ceiling joists.

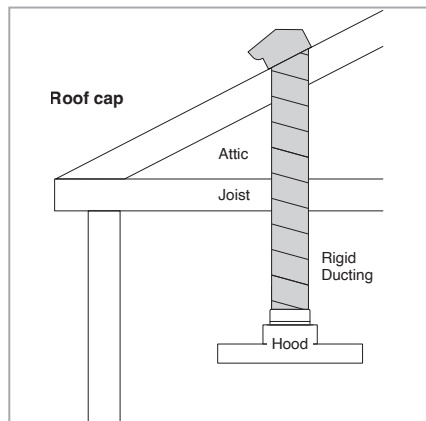
**Improper or insufficient support may result in mounting failure or damage over time. Consult a qualified contractor if additional reinforcement is required.**

## Plan Your Ductwork

**Note: The ducting information below applies to vented installations only. For recirculating installations, refer to the Recirculating Installation section.**

Plan your ductwork route before installing the hood. Use the shortest, most direct path possible to vent air outdoors. Route the duct vertically through the ceiling and avoid framing members, electrical wiring, plumbing, and other obstacles.

**Important: Before cutting into the ceiling, consult a qualified contractor if you are unsure what is inside the structure.**

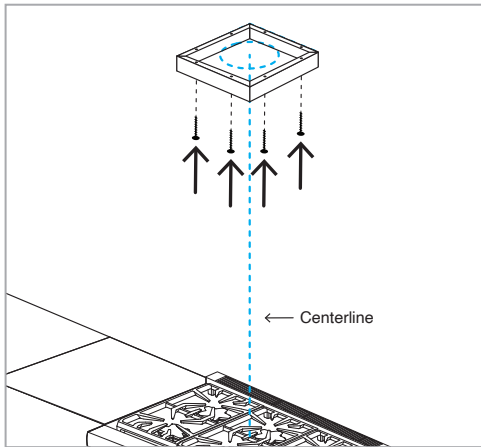


## Best Practices for Ducting Your Range Hood

- Maintain at least 18" of straight duct before and between elbows.
- Use rigid galvanized steel or metal HVAC ducting only.
- Vent the hood outdoors. Do not terminate ducting in an attic or other enclosed area.
- Do not use plastic flexible ducting or 4" laundry-style wall caps.
- Maintain the duct size established by the hood outlet or supplied transition throughout the entire duct run to ensure proper airflow and performance.
- Do not reduce the duct size at any point in the duct run.
- Do not exceed 30' of total effective duct length. Count each elbow as 5' of duct and use no more than two elbows whenever possible.
- Use only one damper in the duct system. If your hood includes a damper in the hood outlet or supplied transition, verify that only one damper is installed.

**For Best Performance: Round ducting is recommended for maximum airflow and quieter operation.**

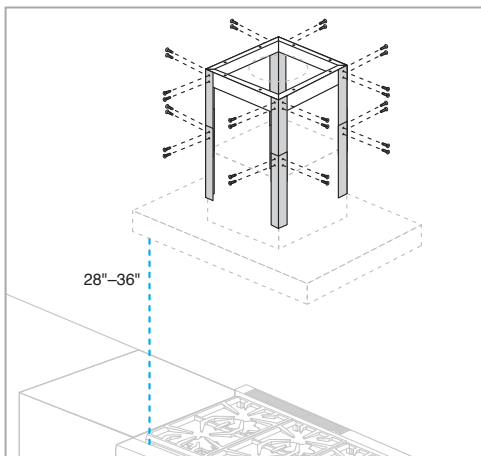
# Hood Installation



## Install the Ceiling Bracket

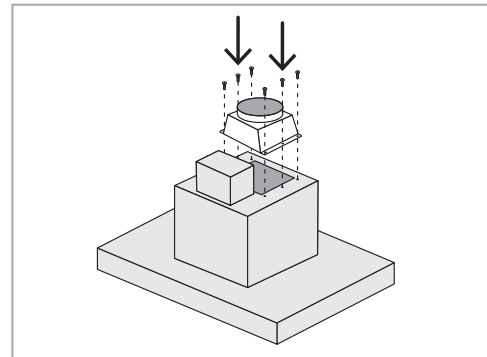
**Important: Verify that adequate blocking and structural support are in place before installing the ceiling bracket.**

- Locate and mark the centerline of the cooking surface on the ceiling.
- Position the ceiling bracket on the centerline and verify that it is level.
- Secure the ceiling bracket to the ceiling framing using lag screws or other appropriate heavy-duty fasteners.



## Install the Angle Irons

- Attach the angle irons to the ceiling bracket using the provided hardware.
- Adjust the angle irons to achieve the desired installation height. Proline recommends installing the bottom of the hood 28"–36" above the cooking surface.
- Verify that the angle irons are evenly spaced and hang vertically.



## Install the Transition (36" Models and Larger)

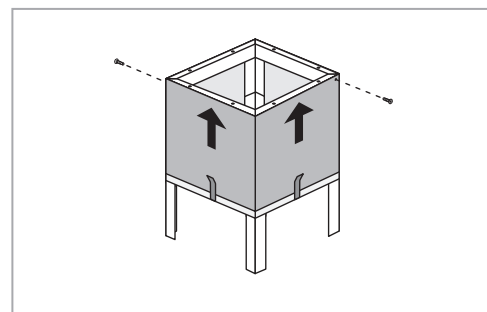
**30" models include a preinstalled 6" transition and do not require this step.**

Models 36"–60" include a separate 10" transition that must be installed before connecting ductwork.

- Position the transition over the exhaust opening on top of the hood.
- Align the mounting holes and secure the transition using the provided screws.

## If Chimney Trimming Is Required

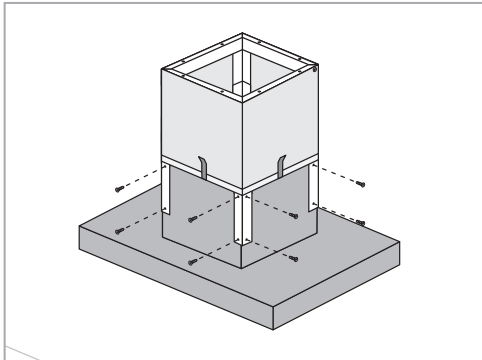
**If necessary, trim the chimney sections so that any cut edges remain concealed within the overlapping sections.**



## Prepare the Chimney Sections

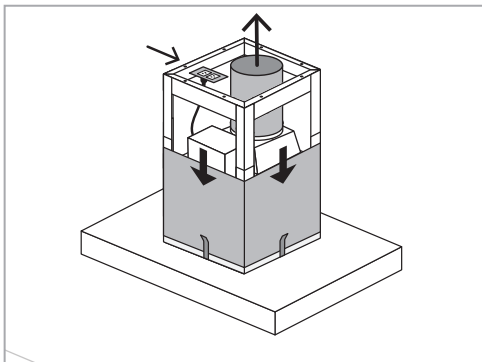
- Slide both chimney sections over the angle irons.
- Raise the upper chimney section into position and temporarily secure it to the ceiling mounting bracket using two screws.
- Tape the lower chimney section to the upper chimney section to hold it in the raised position during hood installation.

## Hood Installation (continued)



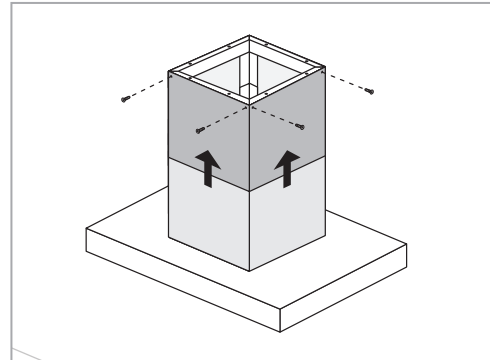
### Mount the Hood

- Lift the hood into position beneath the angle irons.
- Secure the hood to the angle irons.
- Verify the hood is level.



### Connect the Ductwork and Electrical

- Remove the screws temporarily securing the upper chimney section.
- Lower both chimney sections onto the top of the hood to access the transition and electrical connection.
- Connect the rigid ductwork to the hood transition.
- Plug the hood into the grounded outlet.
- Verify all duct and electrical connections are secure.



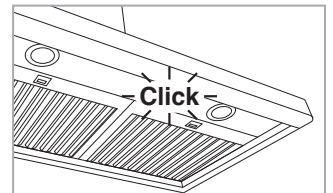
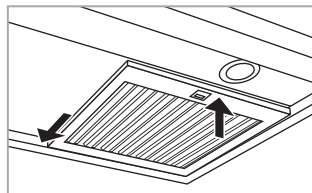
### Complete the Chimney Installation

- Remove the tape supporting the lower chimney section.
- Raise the upper chimney section and secure it to the ceiling mounting bracket using the provided screws.
- Verify that the lower chimney section is properly seated in the chimney channel on top of the hood.
- Verify that both chimney sections are properly aligned.

### Install the Filters

Refer to the section that matches the filters included with your hood.

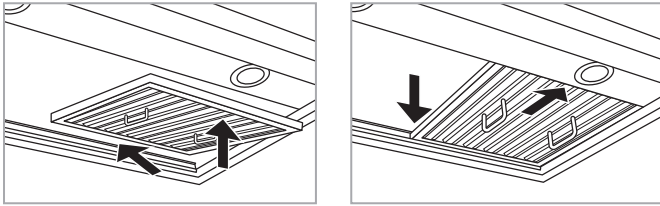
#### Latch-Style Baffle Filters



- Insert the rear edge of the filter into the rear channel, aligning the tabs with the corresponding slots.
- Raise the front of the filter and push upward until it clicks into place.
- Verify that the filter is fully seated and secure.

### Handle-Style Baffle Filters

- Tilt the rear edge of the filter into the rear channel.
- Lower the front edge into the front channel.
- Verify that the filter is fully seated and secure.



### Final Inspection

- Verify that the blower operates at all speed settings.
- Verify that all lights function properly.
- Confirm that the hood is secure and level.

## Installation Complete

**Congratulations! Your range hood is now installed and ready for use.**

If you have any questions or need assistance, please contact Proline Customer Support at [support@prolinerangehoods.com](mailto:support@prolinerangehoods.com) or call (801) 973-3959.

## Maintenance

Clean the baffle filters regularly to maintain proper airflow and performance. Dishwasher-safe stainless steel baffle filters should be cleaned as needed based on cooking frequency.

### Remove the Baffle Filters

Reverse the installation procedure for the filter style installed in your hood.

**Important: Baffle filters may have sharp edges. Handle them carefully during removal and cleaning.**

## Stay Up to Date

We continuously improve our installation guides to make them clearer and more accurate.

Scan the QR code below to access the latest version of this manual, including updated instructions, diagrams, and installation resources.



**PROLINE**  
RANGE HOODS

4375 W 1980 S, Salt Lake City, UT 84104

Call (801) 973-3959.  
[support@prolinerangehoods.com](mailto:support@prolinerangehoods.com)  
[www.prolinerangehoods.com](http://www.prolinerangehoods.com)

Our Support team hours are:  
Mon-Fri 8:30 am – 5:00 pm MST