



# Flush Range Hood

## Installation Guide

**IMPORTANT:** Read and save these instructions.

**NOTICE:**

**Installer:** Leave this guide with the homeowner

**Homeowner:** Keep this guide for future reference

---

## **Table of Contents**

Before the Installation .....	3
What You Will Need .....	3
Decide Where to Install Your Flush Island Hood .....	4
Build the Wood Frame .....	4
Install the Hood .....	5
Operations .....	7
Safety Information .....	9
Warranty Information and Return Policy .....	10

---

## Before the Installation

**The installation of the 44" Flush Island Pro range hood is meant for contractors or licensed installers only. Do not install this island hood yourself. You risk costly damage to the structural integrity of your home as well as injury.**

### 1. Check the contents of your box.

They should include, depending on the specific model of your hood:

- Two 6" round outlet adapters with dampers
- Six 6x60mm expansion screw
- Eight 4x25mm self-tapping screws
- Remote control

As you unpack your hood, remove any protective film from chimney sleeves, the filters, or the range hood before installation.

### 2. Inspect your range hood.

- Plug in and test controls, lights, and fan.
- Inspect for any damage caused during shipping.
- Within 5 days of receiving the hood, call us at (877) 901-5530 or email [support@prolinerangehoods.com](mailto:support@prolinerangehoods.com) to report any damage.

**NOTE: Do not install the hood if it's damaged or you're unsatisfied with it.**

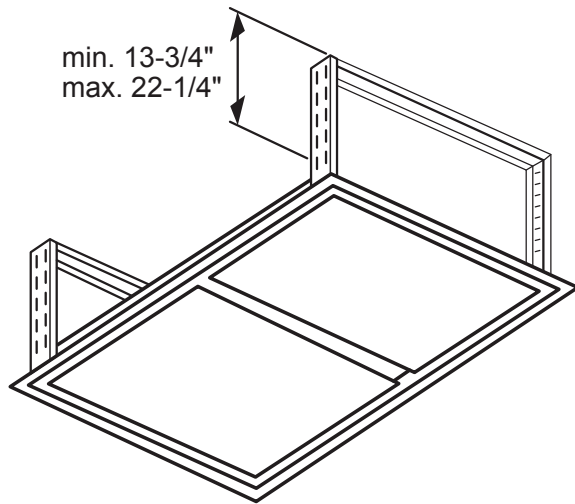
### 3. Make sure you can run power to the hood.

Before you begin the installation, ensure that you can run electricity to it without too much trouble. Make sure you know where you will plug in your vent hood and that you have the necessary extension cords before you proceed with the installation:

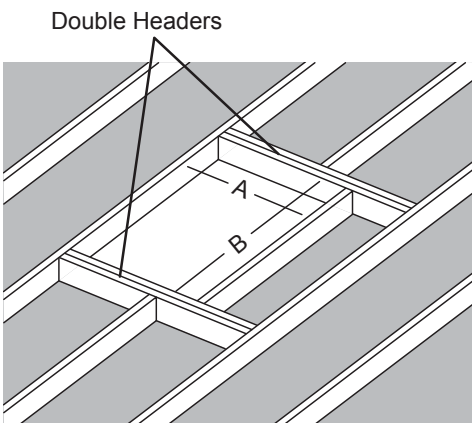
## What You Will Need

- Pencil and tape measure
- Wire cutter or wire stripper
- Hammer
- Level
- Step ladder
- Wire nuts
- Pliers
- Saber saw or sawzall
- Screwdrivers
- 120 V/60 Hz outlet
- 15 or 20 amp breaker
- 2-wire cable with ground
- Properly grounded branch circuit
- Duct tape
- Wrench
- Keyhole saw
- Safety glasses
- Electric or battery-operated drill and 1/8", 3/8" bits
- 10" round metal duct
- Metal snips
- Flashlight

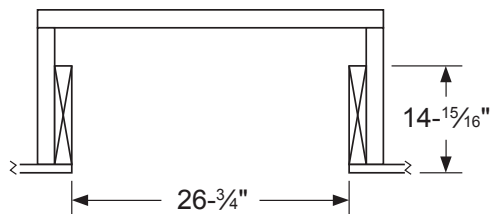
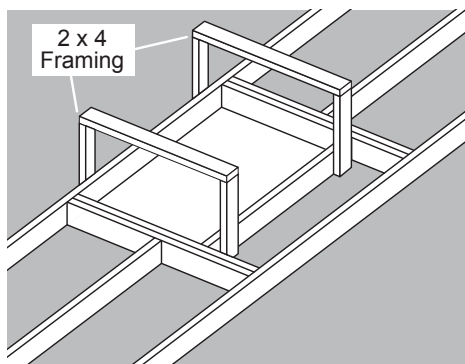
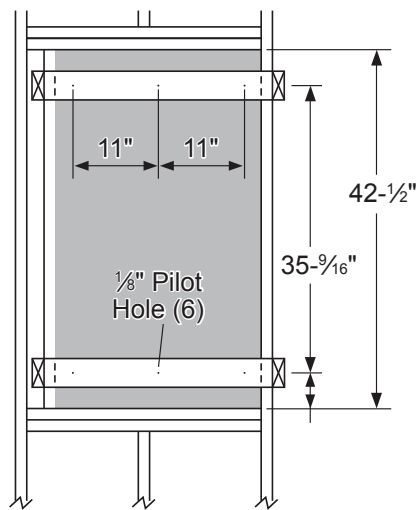
## Decide Where to Install Your Flush Island Hood



## Build the Wood Frame



A=26-3/4", B=42-1/2"



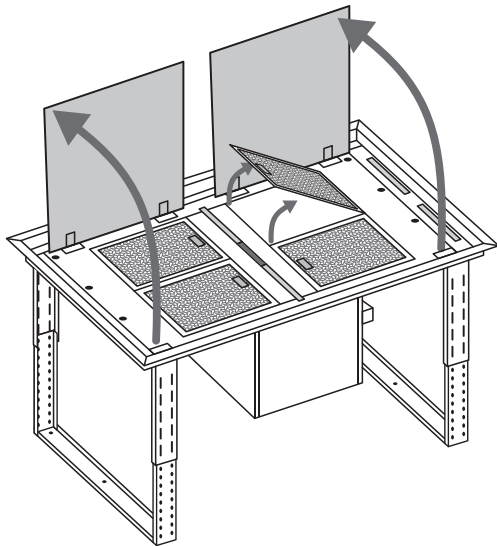
The hood must be centered over the cooktop. Make sure there is enough room in your ceiling for the 44" hood and its ductwork. For the best performance, mount your hood between 36" and 72" above the cooktop. You may need to cut the joists in your ceiling to make room for this frame.

Use joist-size lumber to build the range hood frame. At a minimum, the wood frame must be able to support the weight of the island hood.

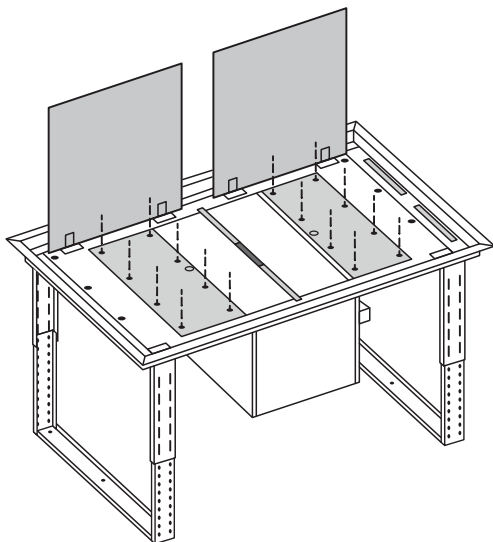
The wood frame must support its own weight plus the weight of the island hood.

## Install the Hood

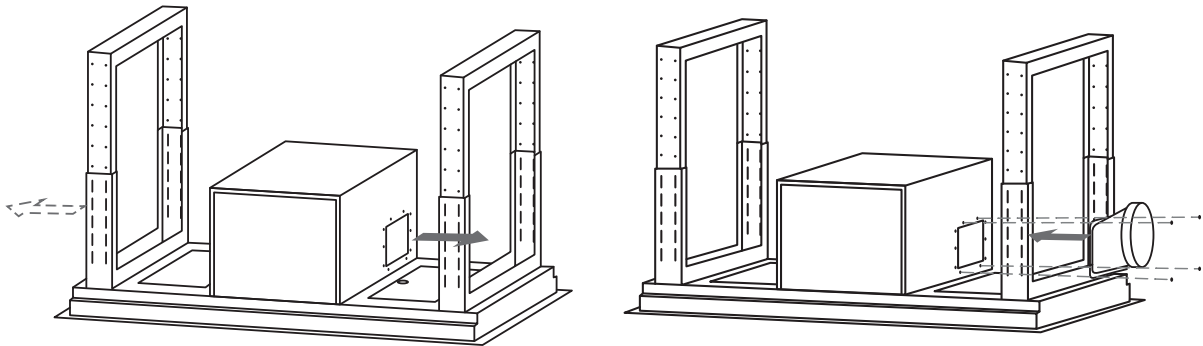
1. Open the perimeter panels and remove the grease filters.



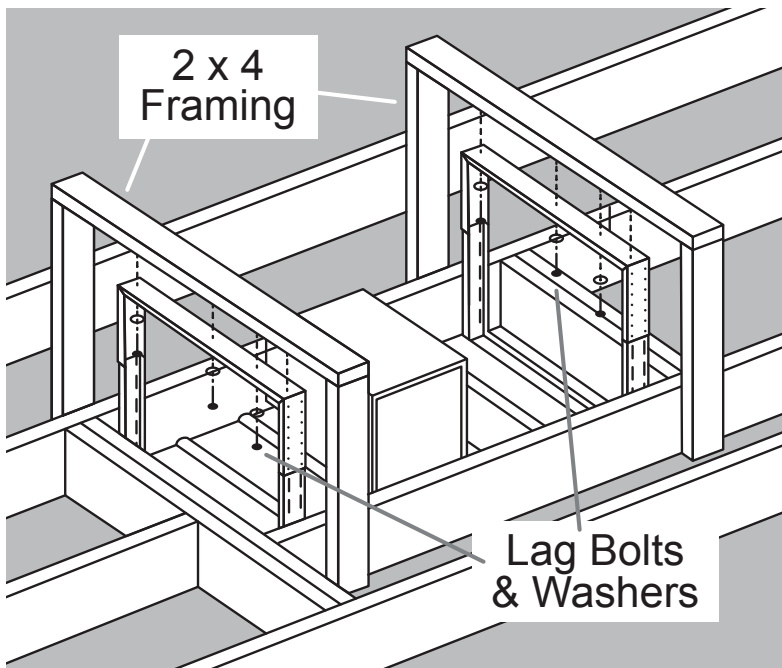
2. Remove the two interior panels by unscrewing eight screws from each panel.



3. Install two 6" round outlet adapters to the hood with the provided mounting screws.

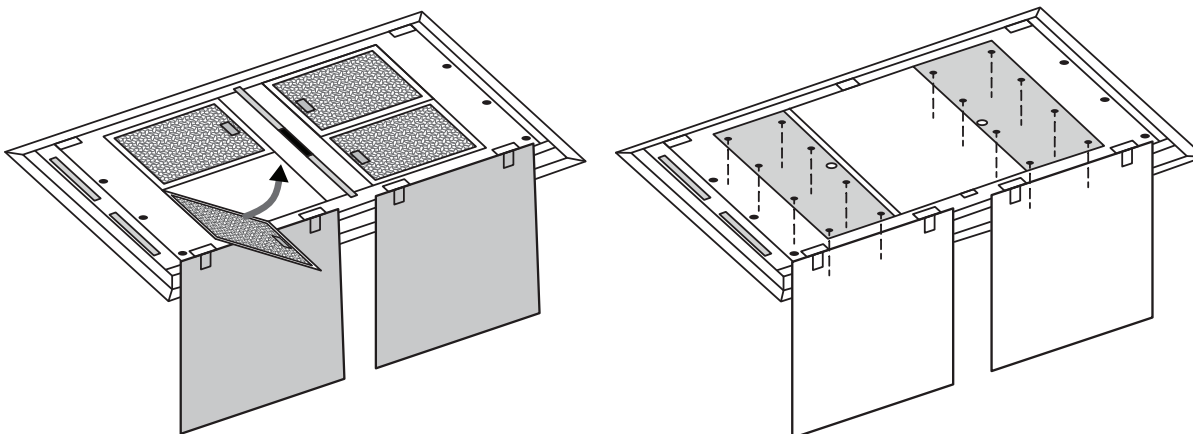


- 4. Lift range hood into the ceiling opening. Ask a friend for help so you don't risk an injury. The range hood is quite heavy.**
- 5. Use the lag bolts and washers to secure the wooden support in place.**

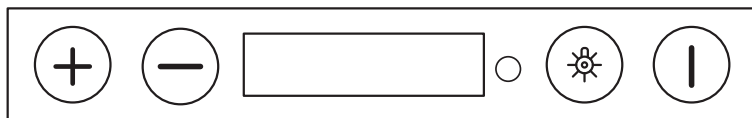


- 6. Adjust the support frame until the range hood is flush with your ceiling.**
- 7. Connect rigid ductwork to the range hood. Apply aluminum duct tape to all joints to ensure the system is completely airtight.**
- 8. Reinsert the two panels you removed in step two.**

## 9. Reinstall the grease filters.



## Operations



### Power button

Press the power button to turn the hood on. When the hood is on, press the button again to start a 15 minute timer. When the timer runs out, the hood will turn off. Press the power button a third time to turn off the range hood.

When the range hood is off, press and hold the power button for three seconds to adjust the clock. Use the plus and minus buttons to adjust the hour.

Press the power button to cycle to the minutes and adjust them using the plus and minus buttons.

### Lights

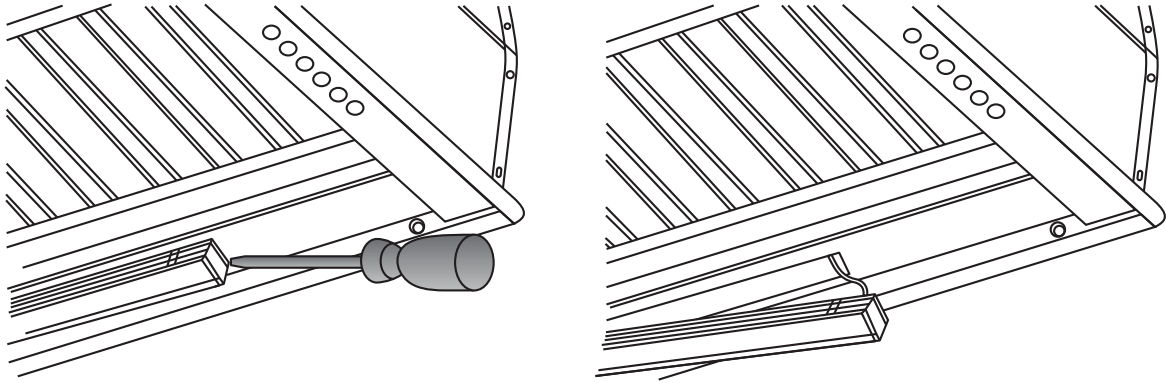
Press the button with the lights icon to turn the lights on and off.

### Speed Control Buttons

The plus button increases the range hood blower speed and the minus button decreases the blower speed. These buttons adjust the clock after you press and hold the power button for three seconds.

### Remote Control Button

The small button near the digital display enables the remote control sensor. The remote control receives an infrared signal from the sensor to operate the range hood.



Before replacing your range hood lights, make sure that they are turned off and the range hood is unplugged.

1. Open the front panels of the island range hood.
2. Carefully remove the LED lights from their connectors using a flat tip screwdriver or similar tool.
3. Carefully clip the new LED lights into place.

**That wraps up your flush range hood installation! Great work!**

**We are happy to help you with any questions or concerns you may have. Please create a ticket, email us at [support@prolinerangehoods.com](mailto:support@prolinerangehoods.com) or call our support line at (877) 901-5530 to talk to a live representative.**



---

## Safety Information

**Ask a qualified professional such as a licensed general contractor to install your range hood. Electrical wiring must be installed, insulated, and grounded by a licensed electrician familiar with your local codes and regulations. If you don't have this background, do not install the hood yourself. Poor installation or electrical work may result in an injury.**

- Range hoods can be heavy to mount, so always ask a friend for help.
- Wear protective gloves when handling the range hood and its filters. The edges can be sharp.
- For residential use only. Do not install your hood in a restaurant or other commercial environment. Our hoods do not abide by the rules and regulations for commercial use.
- Do not use your hood to vent hazardous or explosive materials and vapors. This is incredibly dangerous and may result in serious injury.
- When cleaning the unit, make sure the power is turned off.
- When troubleshooting or replacing the touch panel, circuit board, or other electrical components, turn power to the range hood off.
- Check your local codes and regulations to see what type of ductwork is required. Some codes require rigid metal ductwork. Do not use flex duct for your range hood, as it can wear down quickly. Air may escape into your walls or attic.
- Never vent your ducted hood into an attic, joists in your ceiling, or a soffit. Always vent the hood to the outside to keep grease, smoke, and unwanted contaminants out of your home.
- Avoid electrical wiring when drilling a hole into your wall or ceiling for ductwork.
- Clean or replace old ductwork with new rigid ductwork to prevent potential grease fires and increase the efficiency of your range hood.
- Seal all joints in your duct system with aluminum tape to prevent air from escaping in your walls or attic.
- Check your local regulations to determine if you need make-up air. When a range hood vents air out of your home, that air has to be replaced. If you operate a powerful range hood (600+ CFM) in a small kitchen, you may need makeup air. We do not sell makeup air kits.
- Clean your range hood filters, grease trays, and the range hood every few weeks. Heavy grease buildup shortens the life of your hood and it may lead to a grease fire.
- All Proline range hoods are ETL certified. They meet all industry standards and regulations to ensure your safety.
- Use the high setting on your range hood to vent heavy smoke or heat in case of emergency. Otherwise, use the lower settings to prolong the life of your hood.
- While your range hood is on, do not leave your cooking area unattended.
- When cooking with oils, do not heat them past their smoke point. If oil starts smoking, turn off the burner and discard any food that came into contact with it. Do not use Extra Virgin Olive Oil in high heat, since it starts to smoke at around 300° Fahrenheit.

**In the event of a grease fire:**

- Smother the flames with a large lid, pan, or baking sheet. If the fire is small, smother it with baking soda or salt. For larger fires, use a fire extinguisher.
- Turn off all burners.
- Do not touch a flaming pan. This may result in serious burns.
- Keep all flammable materials away from the grease fire. This may include nail polish remover, flour, rubbing alcohol, and hand sanitizer, among other household items.
- Do not pour water on a grease fire. Water will spread the oil around, making the fire more potent and dangerous. Wet towels and rags will also spread the oil, so avoid using these as well.
- If you cannot contain the fire, call the fire department immediately.

**Warranty Information and Return Policy**

All of our range hoods have a three-year warranty. For the first year, we cover parts and labor. This doesn't include installation.

For the second and third years of your warranty, we'll cover parts only.

This warranty covers every part of your range hood except the following:

- Range hood filters
- Range hood lights
- Any dents, dings, scratches, or other damage to the outside of the hood

If you're outside of the warranty and your hood is not working properly, call us at (877) 901-5530 and we'll help you resolve your issue. We can typically help fix your Proline range hood at a reasonable price so you don't have to replace the whole thing.

**Return Policy**

If your range hood is damaged, we accept returns under certain conditions. You can return the hood within 5 days of receiving it at no cost to you. After this 5-day window, a restocking fee of 20% of the purchase price will apply.

When you receive your hood, be sure to inspect it before the 5-day window expires. Otherwise, you'll be stuck with a damaged range hood.

After the initial 5-day period, you can still return your hood up to 30 days after receiving it. However, you will be responsible for the restocking fee.

**Do not install the hood if it is damaged. We don't accept returns on hoods that are already installed.**

Outside of the 30-day period after you receive your hood, you can't return it.

If you bought your hood for a renovation project that's a few months out, remember to inspect it within 5 days of delivery to make sure it's in good condition.





4375 W 1980 S, Salt Lake City, UT 84104

Call (877) 901-5530  
[support@prolinerangehoods.com](mailto:support@prolinerangehoods.com)  
[www.prolinerangehoods.com](http://www.prolinerangehoods.com)

Our Support team hours are: Mon-Fri 8:30 am – 5:00 pm MST

---